

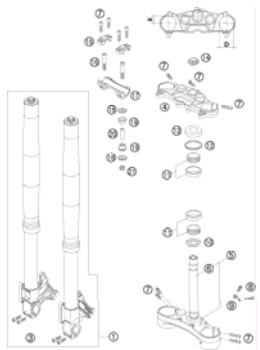
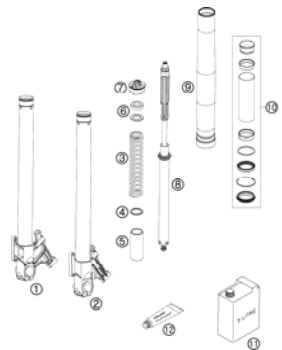
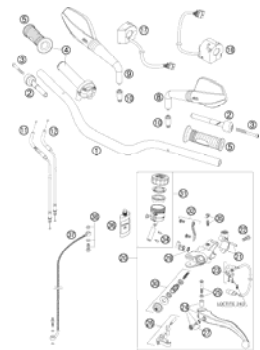

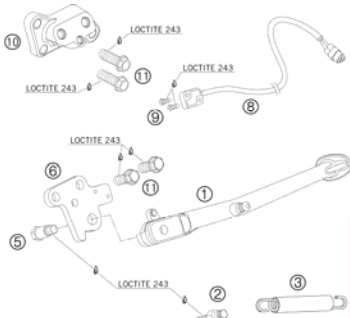
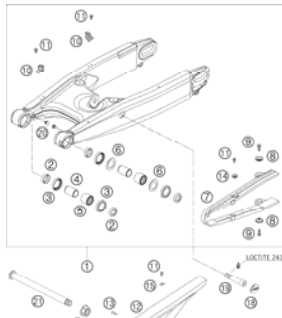
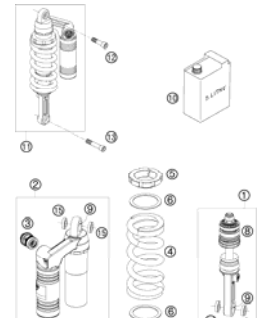

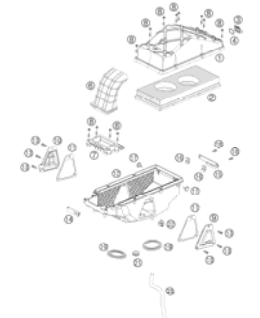

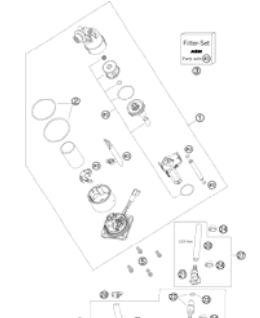
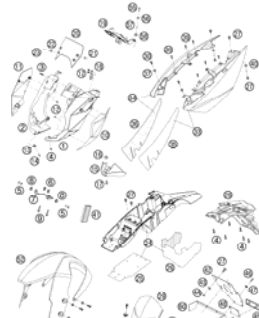
# 990 SUPER DUKE ORANGE USA 2007


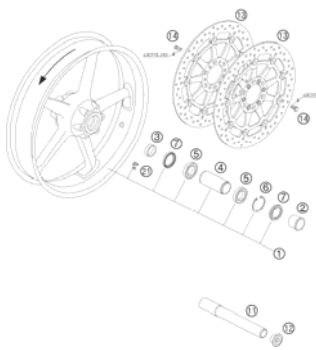
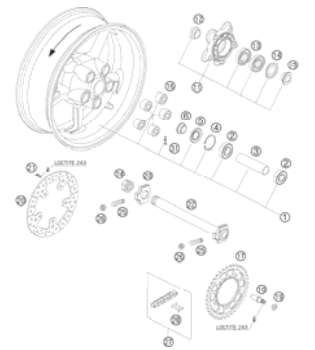

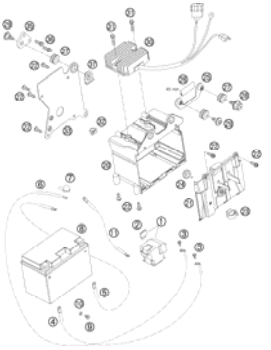
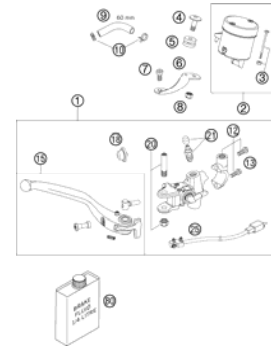
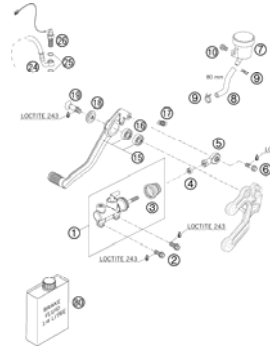
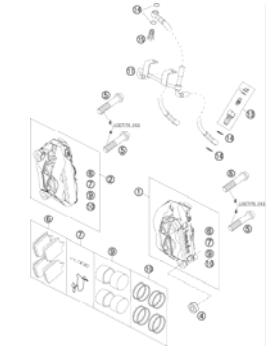
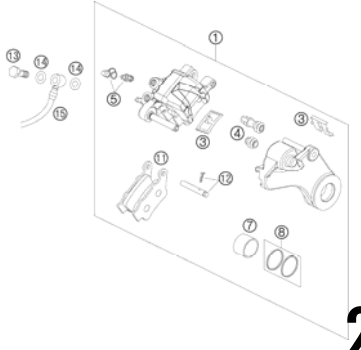

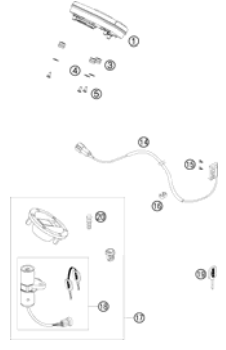
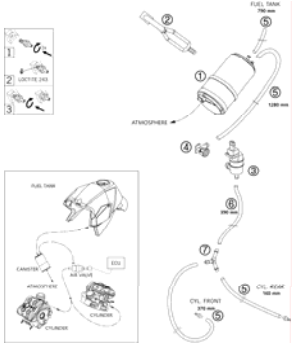
SPARE PARTS MANUAL: CHASSIS

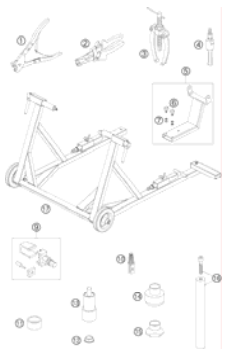

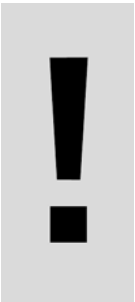
ART.NO.: 3CF9875G4EN

ENGLISH



<p><b>TELESCOPIC FORK</b></p>  <p><b>4</b></p>	<p><b>FORK LEGS</b></p>  <p><b>5</b></p>	<p><b>HANDLEBAR, CONTROLS</b></p>  <p><b>6</b></p>	<p><b>FRAME, SUB FRAME</b></p>  <p><b>7</b></p>
<p><b>SIDE STAND</b></p>  <p><b>8</b></p>	<p><b>SWING ARM</b></p>  <p><b>9</b></p>	<p><b>MONOSHOCK</b></p>  <p><b>10</b></p>	<p><b>MANIFOLD, SILENCER</b></p>  <p><b>11</b></p>
<p><b>AIR FILTER BOX</b></p>  <p><b>12</b></p>	<p><b>TANK, SEAT, COVER</b></p>  <p><b>13</b></p>	<p><b>FUEL PUMP</b></p>  <p><b>15</b></p>	<p><b>MASK FENDERS</b></p>  <p><b>16</b></p>

<p><b>DECAL</b></p>  <p><b>18</b></p>	<p><b>FRONT WHEEL</b></p>  <p><b>19</b></p>	<p><b>REAR WHEEL</b></p>  <p><b>20</b></p>	<p><b>WIRING HARNESS</b></p>  <p><b>21</b></p>
<p><b>BATTERY BOX</b></p>  <p><b>22</b></p>	<p><b>HAND BRAKE CYLINDER</b></p>  <p><b>23</b></p>	<p><b>REAR BRAKE CONTROL</b></p>  <p><b>24</b></p>	<p><b>BRAKE CALIPER FRONT</b></p>  <p><b>25</b></p>
<p><b>BRAKE CALIPER REAR</b></p>  <p><b>26</b></p>	<p><b>LIGHTING SYSTEM</b></p>  <p><b>27</b></p>	<p><b>INSTRUMENTS, LOCK SYSTEM</b></p>  <p><b>28</b></p>	<p><b>EVAPORATIVE CANISTER</b></p>  <p><b>29</b></p>

<p><b>SPECIAL TOOLS</b></p>  <p><b>30</b></p>	<p><b>ACCESSORIES</b></p>  <p><b>31</b></p>		
	<div data-bbox="638 1077 772 1380" style="display: inline-block; vertical-align: middle;">  </div> <div data-bbox="817 1053 2139 1268" style="display: inline-block; vertical-align: middle; margin-left: 20px;"> <p>All information contained is without obligation. KTM-Sportmotorcycle AG particularly reserves the right to modify any equipment, technical specifications, prices, colors, shapes, materials, services, service work, constructions, equipment and the like so as to adapt them to local conditions or to cancel any of the above items, all without previous announcement and without giving reasons. KTM may stop manufacturing certain models without previous notice. KTM shall not be held liable for any deviations of availability and/or ability to deliver, illustrations, descriptions, printing and/or other errors. The illustrated models partly contain extra equipment, which is not applied to standard models. © by KTM-SPORTMOTORCYCLE AG, Mattighofen AUSTRIA; All rights reserved; Reprint, also in extracts, with written allowance of KTM-SPORTMOTORCYCLE AG, Mattighofen only.</p> </div>		

# TELESCOPIC FORK

990 SUPER DUKE ORANGE USA 2007

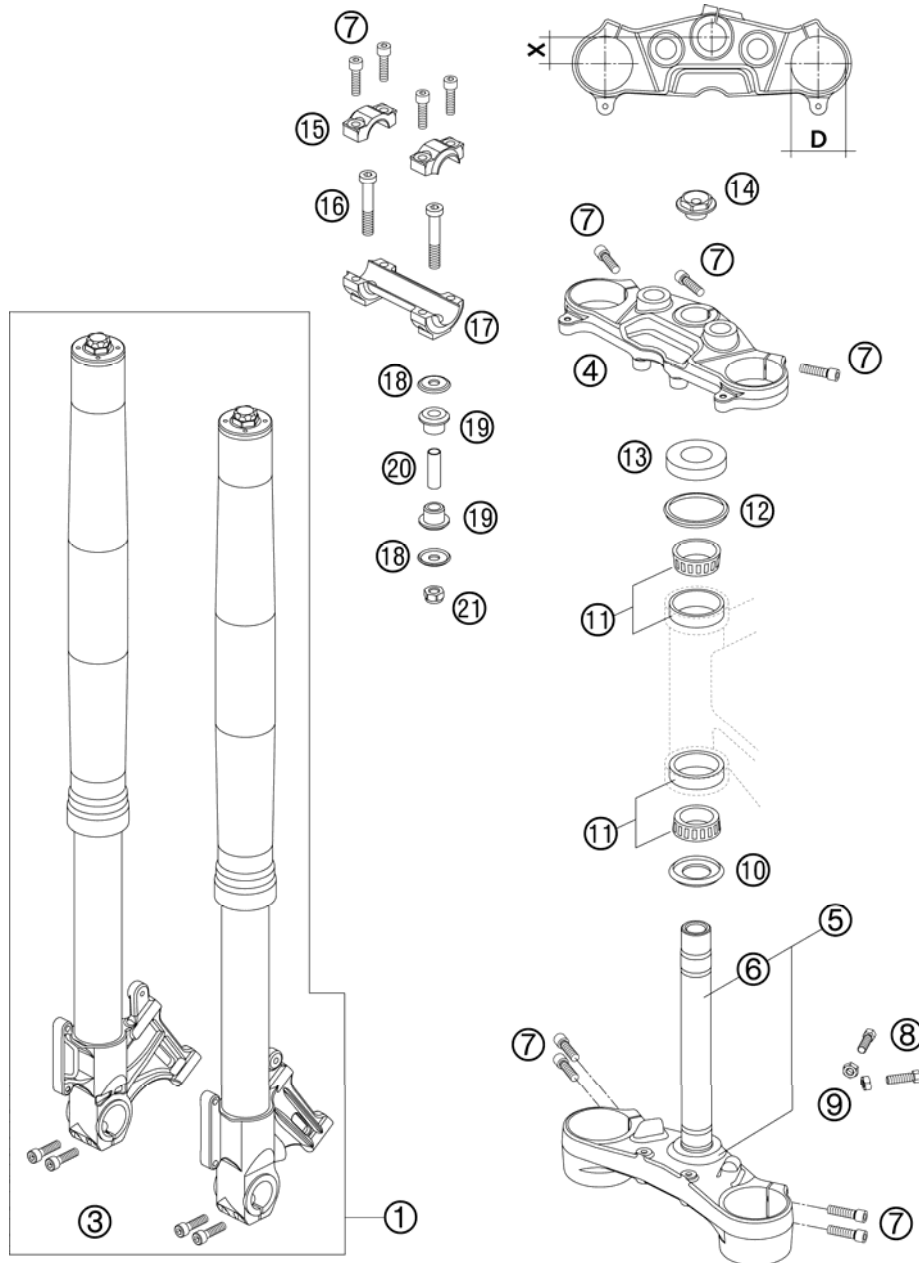


FIG	PART NUMBER	DESCRIPTION	QTY
1*	14187C13	FORK 4860 ROMA 990 DUKE 07	1
3	0912080303	AH SCREW DIN0912-M 8X30	4
4*	6110103402901S	TOP TRIPLE CLAMP 07	1
5*	6110103202901S	BOT.TRIPLE CLAMP CPL. 07	1
6	60001033000	FORK TUBE LC8 ADV 03	1
7	0012080303	AH SCREW DIN6912-M 8X30	11
8	59001037000	SPECIAL SCREW M8X26 WS=10	2
9	0934080003	HEXAGON NUT DIN0934-M 8	2
10	54601084100	O-RING SUPPORT W. SEALING LIP	1
11	54201081100	TAPERED ROLLER BEARING CPL. 06	2
12	54601184000	STEERING HEAD GASKET TOP	1
13	61001086000	STEERING HEAD COVER 05	1
14	54801036200	STEER.HEAD SCREW M20x1,5 SW=27	1
15*	5900103830001S	HANDLEBAR CLAMP 28MM 07	2
16	0012100603	AH SCREW DIN6912-M10X60	2
17*	5900103920001S	HANDLEBAR SUPPORT 28MM 07	1
18	56401042000	WASHER 10,5X32X2	4
19	56401040000	RUBBER BUSHING	4
20	61001041000	SPACER TUBE 10,2X12X38 05	2
21	0982100003	SELF LOCK.NUT DIN0982-M10 HIGH	2

076110100 / C076110100

\* NEW PART

X AS REQUIRED

# FORK LEGS

# 990 SUPER DUKE ORANGE USA 2007

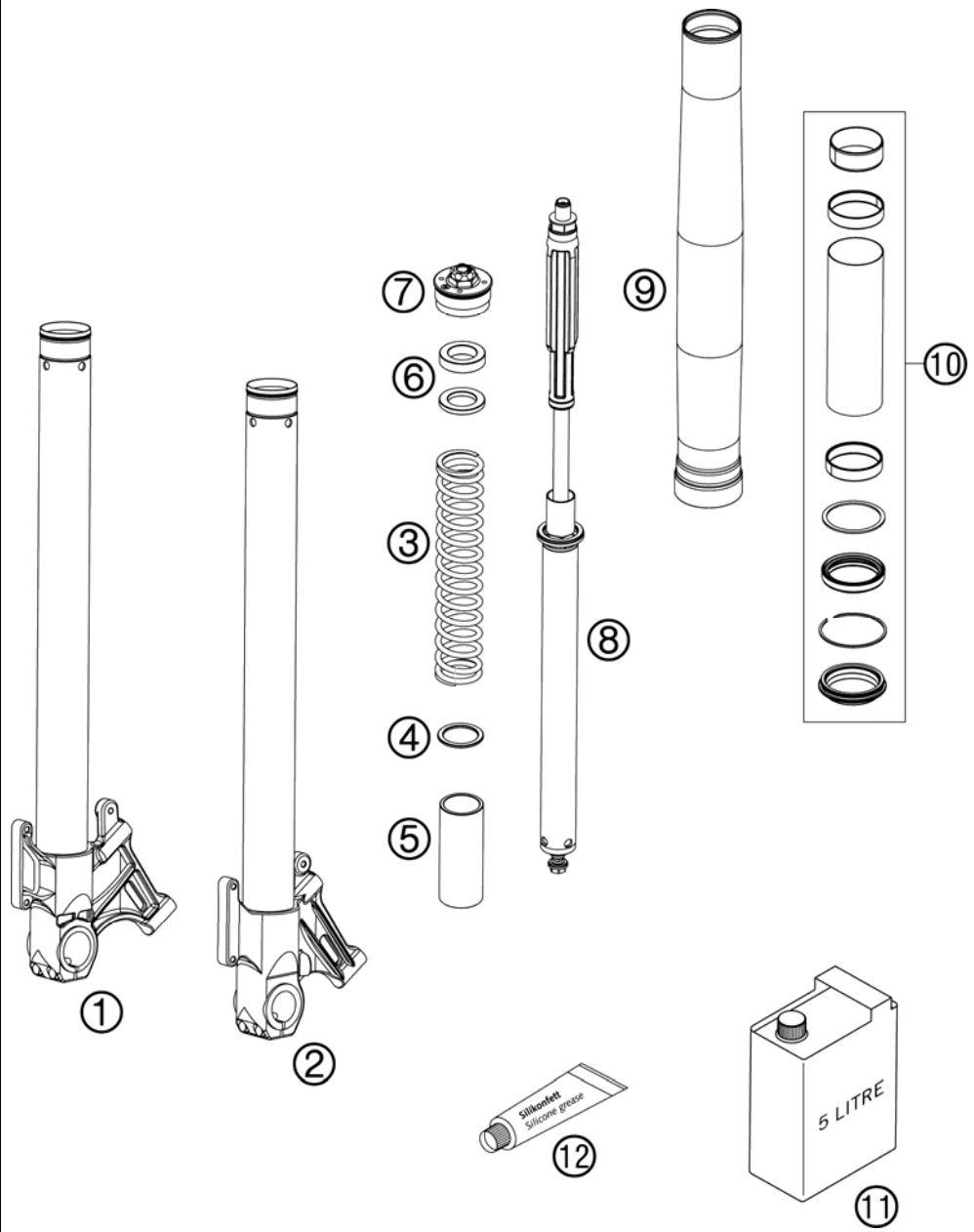


FIG	PART NUMBER	DESCRIPTION	QTY
1*	48600483S2	AXLE CLAMP R/S CPL. 07	1
2*	48600482S2	AXLE CLAMP L/S CPL. 07	1
3	91410038S	SPRING C=9 L=250 D=5,1 05	x
3	91410039S	SPRING C=9,5 L=250 D=5,25 05	1
4	48600460	WASHER 32X42X2,5	2
5	48600361	SPACER ALU D40 X 100	2
6	48600036	SPACER 42X26,5X2,5	2
6	48600037	SPACER 42X26,5X5	2
6	48600053	SPACER 42X26,5X1,5	2
7	48600431S	PRE-LOAD ADJ. CPL. M51X1,5 05	2
8*	48600580S	CARDRIDGE CPL. 07	2
9	48600362E	OUTER TUBE L=500MM D=54/60 SET	2
10	R14009	REPAIR-KIT GASKET 4860 MXMA 05	1
11	48600401S1	FORK OIL SAE 5 2005	1
12	T511	SILICONE GREASE F. DUST STRI	1

076110102 / C076110102

\* NEW PART

X AS REQUIRED

# HANDLEBAR, CONTROLS

# 990 SUPER DUKE ORANGE USA 2007

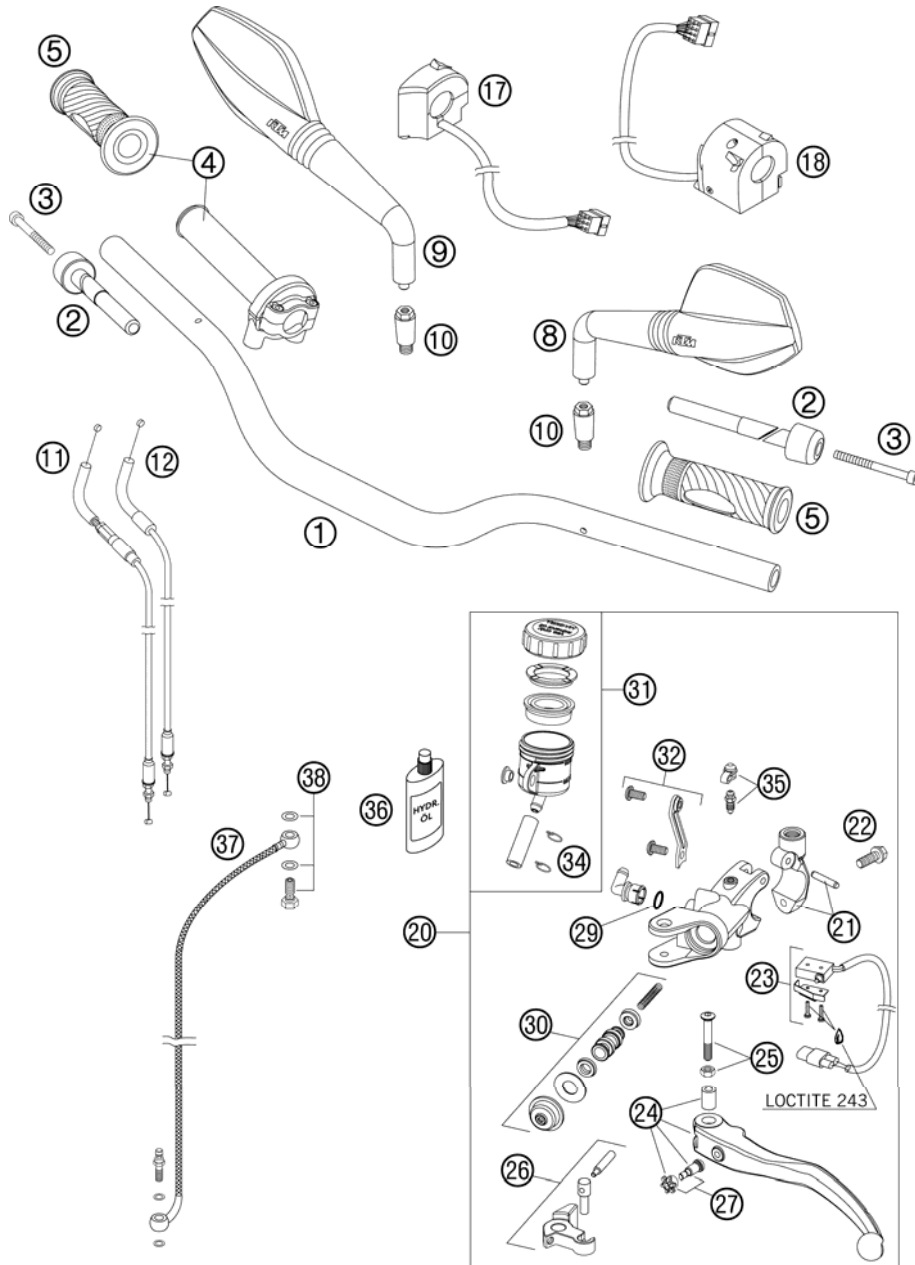


FIG	PART NUMBER	DESCRIPTION	QTY
1	61002001100	HANDLEBAR	06
2	61002004000	VIBRATIONS ABSORBER	05
3	0912060653	AH SCREW DIN0912-M 6X65	2
4	61002010000	THROTTLE GRIP	05
5	61002021000	GRIPP SET	1
8*	61112040000	REVIEW MIRROR L/S	07
9*	61112041000	REVIEW MIRROR R/S	07
10	58412040050	SUPPORT FOR MIRROR LC4 '98	2
11	61002091000	THROTTLE CABLE OPEN	05
12	61002092000	THROTTLE CABLE CLOSE	05
17*	58411074300	START-STOP SWITCH AD	03
18	61011070000	LIGHT SWITCH	05
20	61002030000	MASTER CYLINDER CPL.	05
21	61002044000	CLAMP MIRROR WITH PIN	1
22	0015060163	HH COLLAR SCREW M 6X16 WS=8	1
23	61011049000	CLUTCH SWITCH	05
24	61002031000	CLUTCH LEVER CPL.	05
25	61002038000	LEVER SCREW CPL.	05
26	61002056000	ROCKER CPL.	05
27	61002043000	ADJUSTING SCREW CPL.	1
29	61002051000	O-RING ANGLE PIECE	1
30	61002032000	REP.SET PISTON D=13	05
31	61002055000	RESERVOIR CPL.	05
32	61002055050	BRACKET AND SCREWS F. RESERV.	1
34	58007117000	YDNAC-CLAMP 10107 10MM	2
35	61002054000	BLEEDER SCREW WITH CAP	1
36	50302036200	OIL FOR HYD. CLUTCH 75ML	1
37	61032063000	CLUTCH PIPE	05
38	59032062000	HOLLOW SCREW HYDR. CLUTCH CPL.	1

076110200 / C076110200

\* NEW PART

X AS REQUIRED

# FRAME, SUB FRAME

# 990 SUPER DUKE ORANGE USA 2007

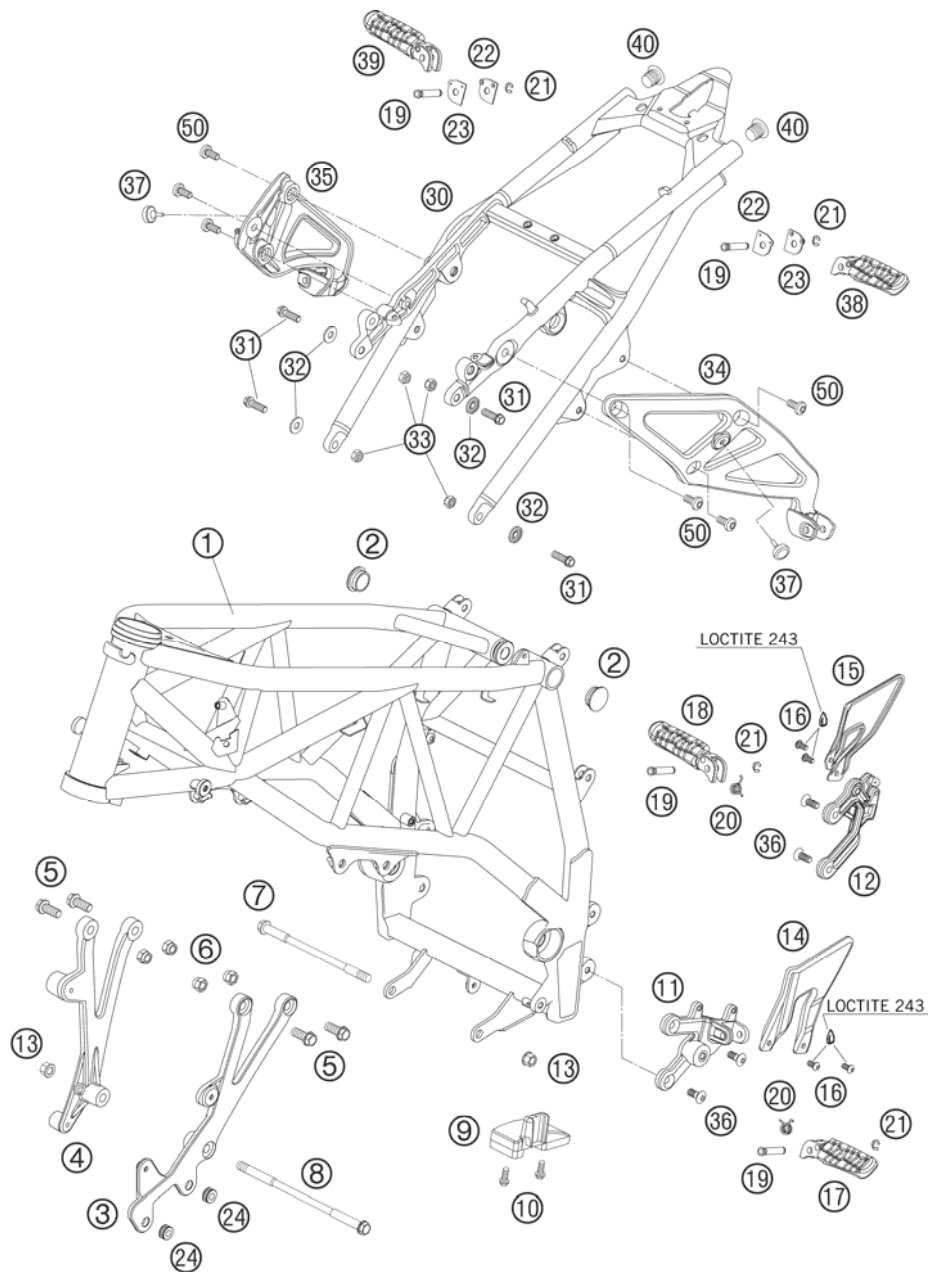


FIG	PART NUMBER	DESCRIPTION	QTY
1*	6110300100033	FRAME "FB07" BLACK 990 SD 07	1
2	61003088000	PLUG SFL28 05	2
3*	6100300500001S	ENGINE SUPPORT LEFT 07	1
4*	6100300600001S	ENGINE SUPPORT RIGHT 07	1
5	0015100243	HH COLLAR SCREW M10X24 WS=13	4
6	54310086100	SELF LOCKING NUT M10 CU WS=14	4
7	60003013000	ENGINE BRAC. SCREW M10X172 03	1
8	60003014000	ENGINE BRAC. SCREW M10X206 03	1
9	60004076100	CHAIN SLIDING BLOCK 05	1
10	0017060204	EJOT PT SCREW K60X20 ALU WS=6	2
11*	6100303800001S	FOOTREST BRACKET FRONT L/S 07	1
12*	6100303900001S	FOOTREST BRACKET FRONT R/S 07	1
13	54630044000	COLLAR NUT M10 WS=13	2
14*	61134032000	HEEL PROTECTOR L/S 07	1
15*	61113032000	HEEL PROTECTOR R/S 07	1
16	0738060101	COU.SUNK SCR. AH ISO7380 M6X10	4
17	61003050000	FOOTREST FRONT L/S CPL. 05	1
18	61003051000	FOOTREST FRONT R/S CPL. 05	1
19	60003044000	BOLT FOR FOOTREST REAR 03	4
20	61003042000	SPRING FOOTREST FRONT 05	2
21	0799060003	TAB WASHER DIN6799-RS 6,0	4
22	60003152000	ENGAGE PANEL FOOTREST L/S 03	2
23	60003052000	ENGAGE PANEL FOOTREST R/S 03	2
24	60003098000	RUBBER SLEEVE 03	2
30*	6110300200092	SUB FRAME PLATIN 07	1
31*	0012080303	AH SCREW DIN6912-M 8X30	4
32	61003002058	STEPPED WASHER 8,5X20X3,5 05	4
33	0926080003	STOP NUT DIN6926 M8 SS	4
34*	6100304800001S	FOOTREST BRACKET REAR L/S 07	1
35*	6100304900001S	FOOTREST BRACKET REAR R/S 07	1
36	54610052000	SPROCKET SCREW-AH M8X20 WS=6	4
37	60006001021	DISTANCE RUBBER AIRBOX 03	2
38	60003050000	FOOTREST CPL. L/S REAR 03	1
39	60003051000	FOOTREST CPL. R/S REAR 03	1
40	61003089000	PLUG SFL 22X1,8-3,5	2
50	61003052000	SPECIAL SCREW M8X18 06	6

066100300 / C076110300

\* NEW PART

X AS REQUIRED



# SIDE STAND

# 990 SUPER DUKE ORANGE USA 2007

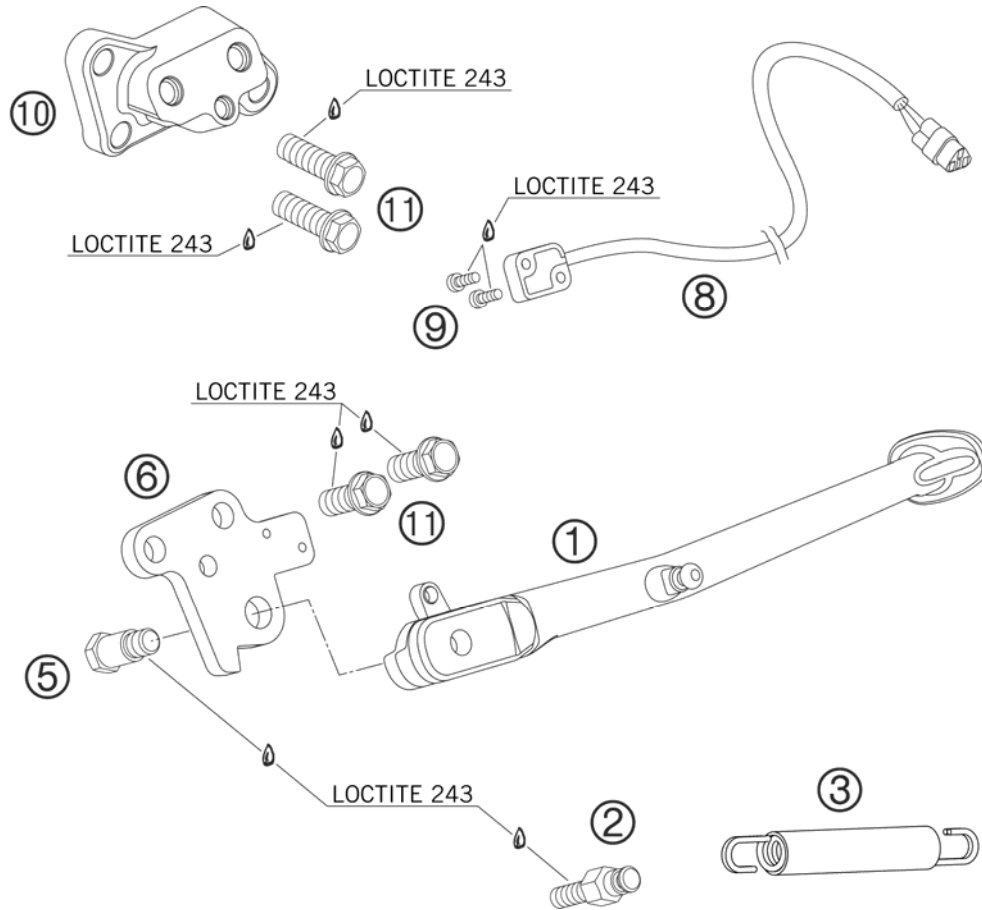


FIG	PART NUMBER	DESCRIPTION	QTY
1*	6100302303333S	SIDE STAND W. MAGNET 07	1
2	61003028001	SCREW SIDE STAND SPRING 05	1
3	61003024000	SPRING L=116 MM 05	1
5	58203027200	SCREW FOR SIDE STAND M10X26,7	1
6	61003028010	SIDE STAND PICKUP 05	1
8	61011045000	SIDE STAND SENSOR 05	1
9	0084040123	CYL.HEAD SCREW DIN84A M4x12	2
10	61003026000	SIDE STAND BRACKET 05	1
11	0015100303	HH COLLAR SCREW M10X30 WS=13	4

066100301 / C076110301

\* NEW PART

X AS REQUIRED

# SWING ARM

990 SUPER DUKE ORANGE USA 2007

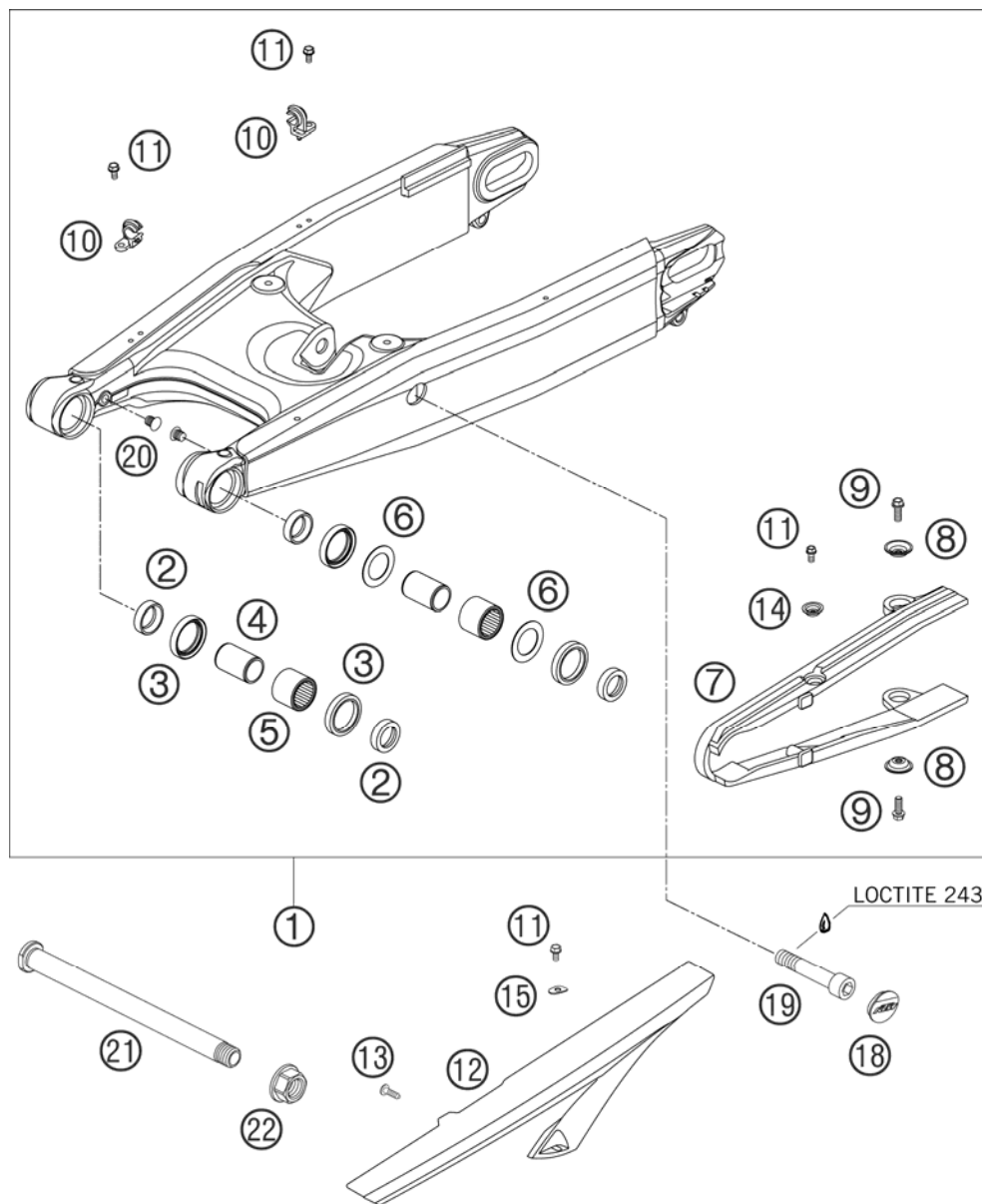


FIG	PART NUMBER	DESCRIPTION	QTY
1	61004030044	SWINGARM CPL. 990 DUKE 05	1
2	60004034000	BUCKET F. SHAFT SEAL RING 03	4
3	0760304073	SHAFT SEAL RING 30X40X7	4
4	60004032000	INNER RING JR20X25X38,5 03	2
5	60004031000	NEEDLE BUSH HK2526B 03	2
6	60004033000	STOP DISK 03	2
7	60004066100	CHAIN SLID. GUARD SWINGARM 05	1
8	72210079000	BUCKET	2
9	0015060163	HH COLLAR SCREW M 6X16 WS=8	2
10	5461107610030	RET. CLAMP F. BRAKE HOSE BLACK	2
11	0009050103	SPECIAL SCREW M 5,0X10	4
12	61004060000	CHAINGUARD 05	1
13	0081500181	SCREW FOR PLASTIC D=5X18	1
14	46104066050	BUSH FOR CHAIN SLIDER GUARD 02	1
15	61004060050	WASHER CHAINGUARD 05	1
18	60004041000	PLUG SWINGARM 03	1
19	60004017000	SCREW M14X1,5 L=73MM 03	1
20	60004042000	PLUG SFL12 GREY 05	2
21	60004037144	SWINGARM BOLT CPL. 05	1
22	60004038000	COLLAR NUT M19X1,5 WS=27MM 03	1

05610040 / C066100400

\* NEW PART

X AS REQUIRED

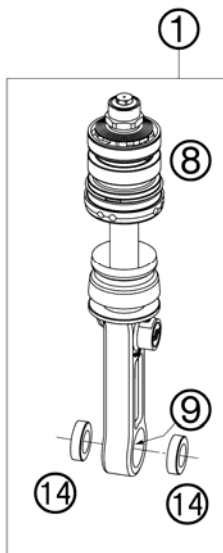
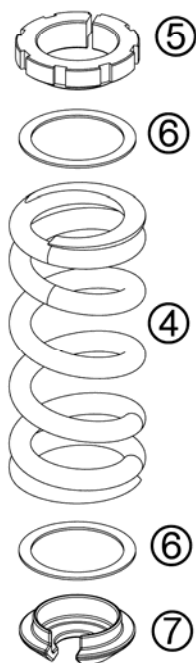
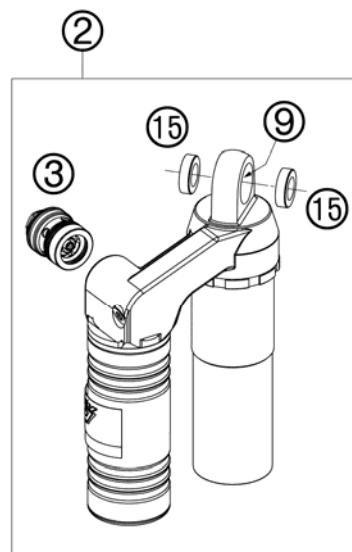
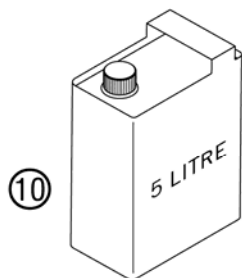
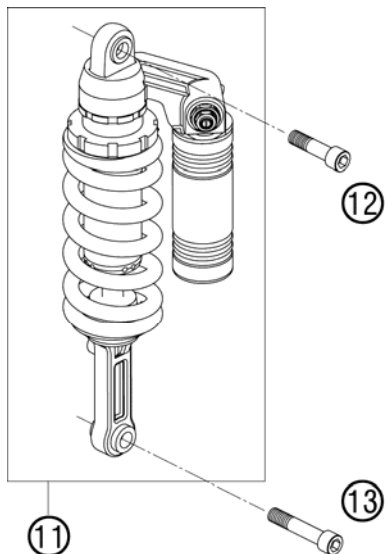


FIG	PART NUMBER	DESCRIPTION	QTY
1	46180364S1	MOUNT EYE CPL. 05	1
2	46180367S1	MONOSHOCK TOP 05	1
3*	50180213S10	DCC-COMPR.DAMP.CONTROL CPL. 07	1
4*	91010077S	SPRING (59) 160-185 d=13,5 07	x
4	91010078S	SPRING (59) 170-185 D 14 05	1
4	91010079S	SPRING (59) 180-185 d=14,0 07	x
5	46180394S	ADJUSTING NUT M52X1,5	1
6	50180410	INTERM.RING D=58	2
7	46180396	SPRING RETAINER H=15 D=28	1
8	R15002	REPAIR-KIT GASKET 05	1
9	R15003	REPAIR KIT BEARINGS 05	1
10*	50180342S1	SHOCK ABSORBER FLUID 5 LT '03	1
11*	15187C01	MONOSHOCK 990 SUPERDUKE 07	1
12	60004016000	SCREW M14X1,5 L=55MM 03	1
13	60004017000	SCREW M14X1,5 L=73MM 03	1
14	46180362	ADAPTOR BUSH KGW 14X32 07	2
15	50180366	ADAPTOR BUSH KGW 14X24	2

076110401 / C076110401

\* NEW PART

X AS REQUIRED

# MANIFOLD, SILENCER

990 SUPER DUKE ORANGE USA 2007

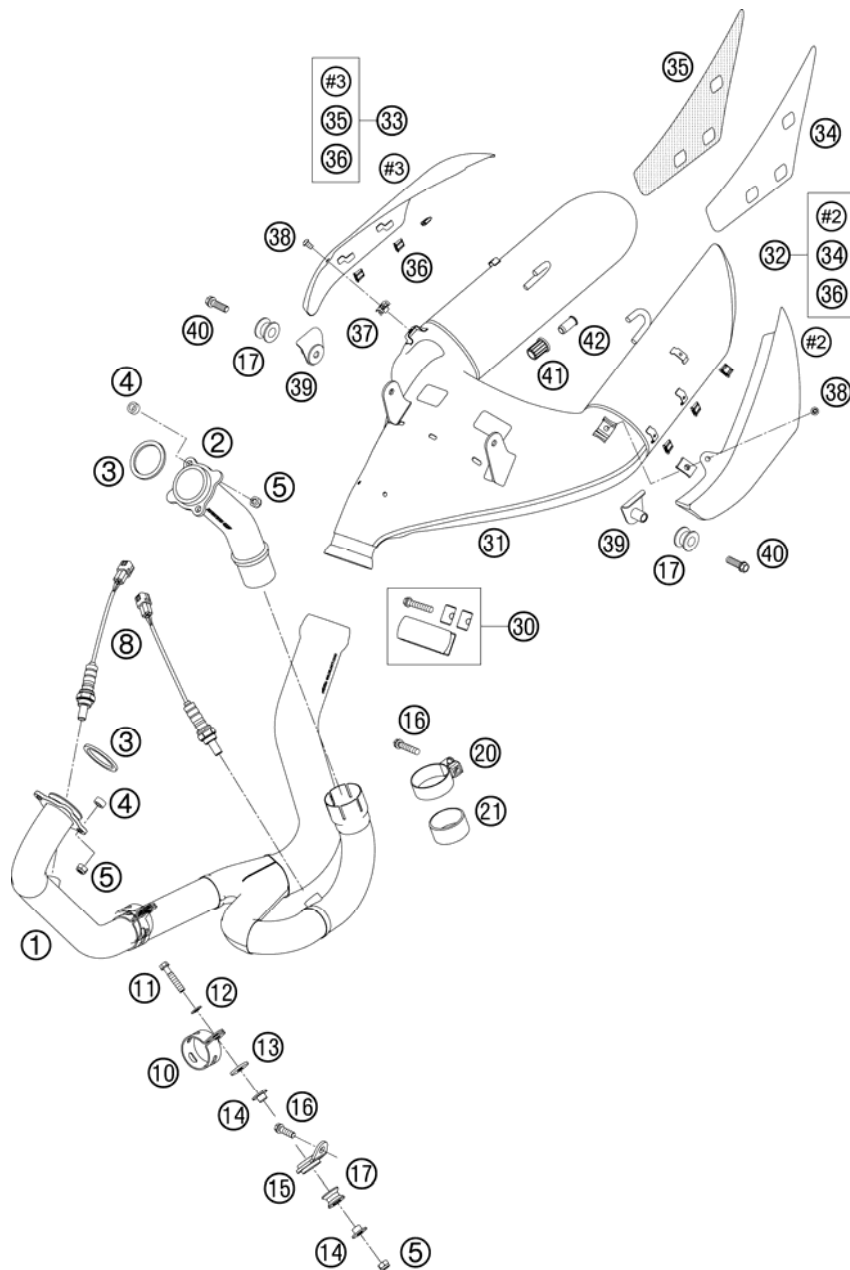


FIG	PART NUMBER	DESCRIPTION	QTY
1*	61105007000	EXHAUST PIPE FRONT 07	1
2*	61105008000	EXHAUST PIPE REAR 07	1
3	61005005000	EXHAUST GASKET 05	2
4	61005009000	SPACER BUSH. 8,5X15X7,5 05	2
5	51010086100	SELF LOCKING NUT M 8 CU	5
8	61041090000	LAMBDA SENSOR 05	2
10	61005007049	CLAMP EXHAUST PIPE 05	1
11	0015080403	HH COLLAR SCREW M 8X40 WS=10	1
12	0021080003	WASHER DIN9021-A 8,4	1
13	51005067000	INSULATE WASHER 8,5X28X3	1
14	58405050065	COLLAR BUSH 8,5X12X23,5X10	2
15*	62505015050	EXHAUST PIPE BRACKET FRONT 06	1
16	0015080353	HH COLLAR SCREW M 8X35 WS=10	2
17	54305068100	DAMP. COMPONENT SILICONE GREY	3
20*	61105051000	EXHAUST CLAMP 52,2MM 07	1
21	58405005001	GRAPHITRING 45X50X25	1
30	61005052000	EXHAUST CLAMP CPL. 05	1
31*	61105183000	SILENCER USA 07	1
32*	61005090120	THERMAL SHIELD SILENCER LE. 07	1
33*	61005090130	THERMAL SHIELD SILENCER RE. 07	1
34*	61005090122	THER.PROT.FOIL SILENCER L/S	1
35*	61005090132	THER.PROT. FOIL SILENCER R/S	1
36	61005091000	DAMP. COMON. SILICONE GREY 05	6
37	54603048100	RANGE CHANGE METAL NUT M6	2
38	0738060101	COU.SUNK SCR. AH ISO7380 M6X10	2
39	61005083011	ANTI-ROTATION ELEMENT CPL. 05	2
40	0015080253	HH COLLAR SCREW M 8X25 WS=10	2
41	61005013000	RUBBER SILENCER SUPPORT 05	2
42	61005014000	SLEEVE SILENCER SUPPORT 05	2

076110500 / C076110501

\* NEW PART

X AS REQUIRED

# AIR FILTER BOX

990 SUPER DUKE ORANGE USA 2007

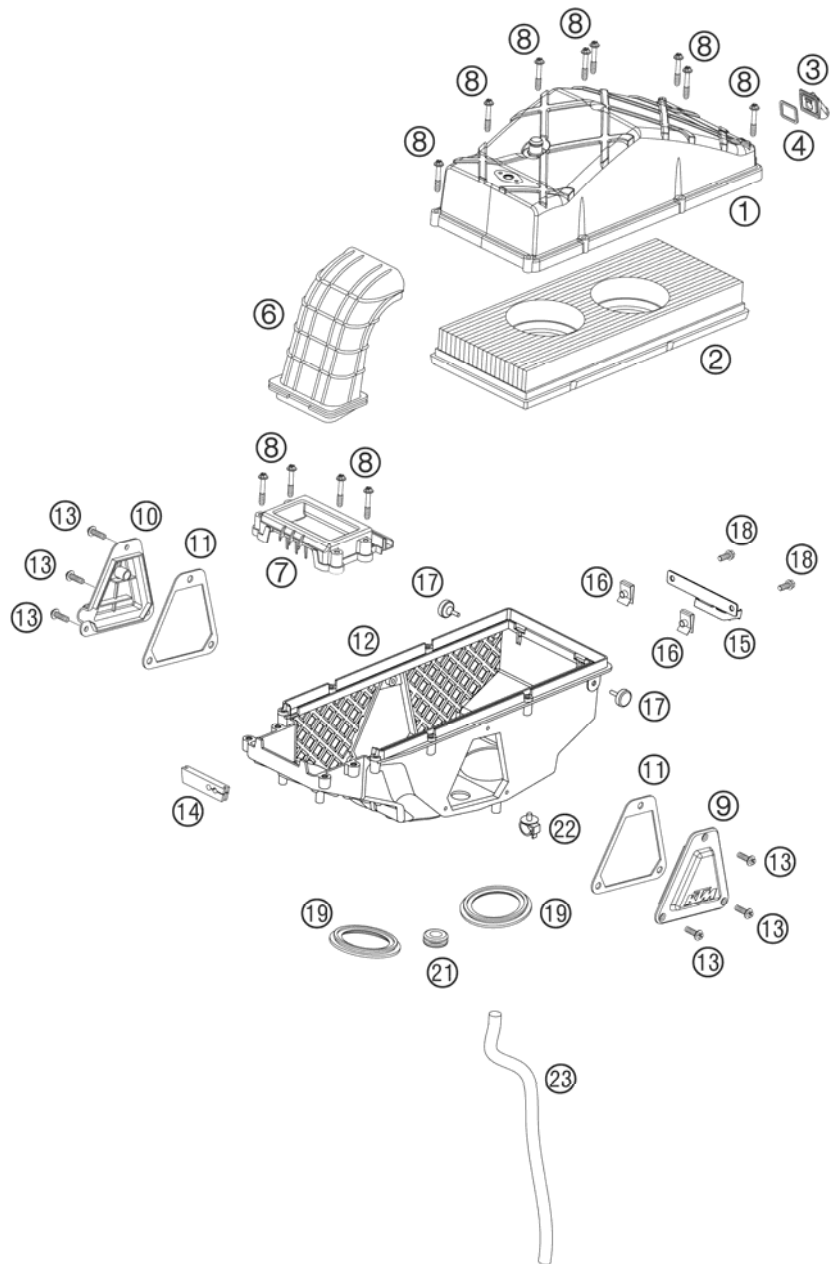


FIG	PART NUMBER	DESCRIPTION	QTY
1	61006002000	AIRBOX COVER 990 DUKE	04
2	61006015000	AIR FILTER EFI	05
3	60006007000	CONNECTOR FOR SAS LC8	03
4	60006007050	GASKET SAS CONNECTOR	03
6	60006040000	INTAKE SNORKEL	03
7	60006004000	AIRBOX FRONT PART LC8	03
8	60006006000	SPECIAL SCREW K60X35/15	03
9	60006003002	AIRBOX COVER L/S R/S	03
10	61006003002	AIRBOX COVER R/S EFI	05
11	60006003050	GASKET F. AIRBOX COVER L/S R/S	03
12	61006001000	FILTER BOX LOWER PART 990	05
13	0017060203	EJOT PT SCREW K60X20 WS=6	06
14	61006001030	RUBBER SLEEVE F. THR. CABLE 05	05
15	61006001020	SAS-BRACKET PANEL	05
16	54603048100	RANGE CHANGE METAL NUT M6	02
17	60006001021	DISTANCE RUBBER AIRBOX	03
18	0015060163	HH COLLAR SCREW M 6X16 WS=8	02
19	60036045000	RUBBER SLEEVE AIRBOX	03
21	60006001041	RUBBER SLEEVE FUEL HOSE	03
22	58111076000	CABLE SUPPORT KHS NR.150-47610	01
23	57005020001	HOSE 10X14 PER METER	x

05610060 / C066100600

\* NEW PART

X AS REQUIRED

# TANK, SEAT, COVER

990 SUPER DUKE ORANGE USA 2007

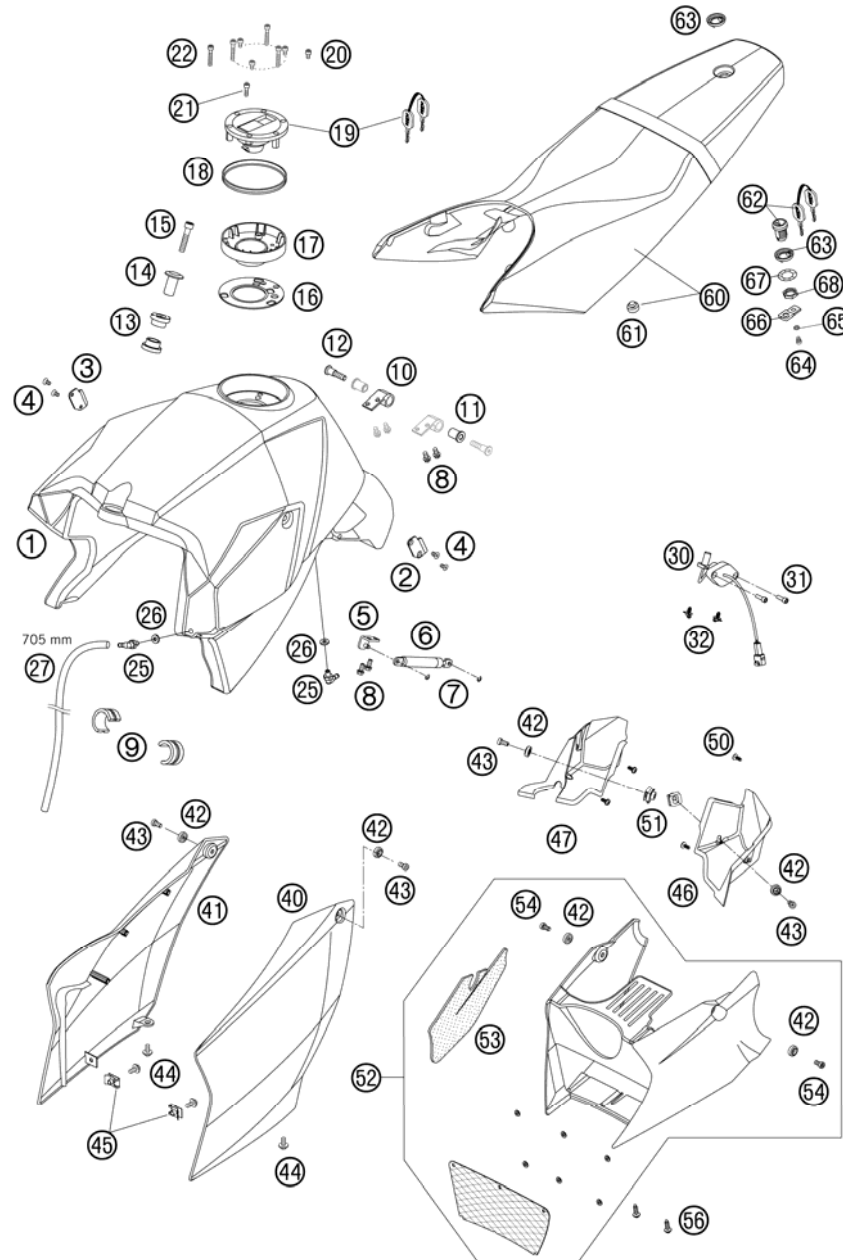


FIG	PART NUMBER	DESCRIPTION	QTY
1*	6110701303347A	FUEL TANK CPL. BLACK-MET. 07	1
2	61007041000	BRACKET SEAT L/S 05	1
3	61007042000	BRACKET SEAT R/S 05	1
4	0991050102	FLAT H.SCEW DIN7991-M5X10 10.9	4
5	61007034000	MOUNTING BRACKET CPL. 05	1
6	61007035000	GAS-PRESSURE DAMPER 300N 05	1
7	0799040003	TAB WASHER DIN 6799-RS 4,0 A2	2
8	0015060123	HH COLLAR SCREW M 6X12 WS=8	6
9	61007014000	SPACER FUEL TANK 05	2
10	61007025000	BRACKET FUEL TANK 05	2
11	61007027000	RUBBER BEARING FUEL TANK 05	2
12	61007026000	SPECIAL SCREW M10X36 AH 05	2
13	61007065000	TANK RUBBER BUSHING FRONT 05	2
14	61007060000	BEARING BUSHING OUTSIDE 05	1
15	0912080403	AH SCREW DIN912 M8X40	1
16	60007008051	SEAL. FLANGE F.TANK INSERT 03	1
17	60007008150	TANK INSERT 05	1
18	60007008052	SEAL. RING F. TANK INSERT 03	1
19	61007008000	TANK PLUG CPL. 05	1
20	0912050083	AH SCREW DIN 912 M 5X8	3
21	0912050123	AH SCREW DIN0912-M 5X12	1
22	0912050303	AH SCREW DIN0912-M 5X30	3
25	60007024000	CONNECT.PIECE F.OVERFLOW M7 03	2
26	60007024050	GASKET FOR CONNECTING PIECE 03	2
27	60007026001	HOSE NBR 5,4X9,4 PER METER	x
30*	58207080200	GAS LEVEL SENSOR 07	1
31	0912050163	AH SCREW DIN0912-M 5X16	2
32	61011094000	CABLE TIE WITH PLUG M6	2
40*	6110805000074A	SPOILER LEFT ORANGE 07 WITH DECAL	1
41*	6110805100074A	SPOILER RIGHT ORANGE 07 WITH DECAL	1
42	60008045000	SPECIAL WASHER D=16,5MM 03	6
43	0012060123	AH SCREW DIN6912 M6X12	4
44	0014060133	HH COLLAR SCREW M 6X13 WS=8	4
45	54603048100	RANGE CHANGE METAL NUT M6	2

076110700 / C076110700

\* NEW PART

X AS REQUIRED

# TANK, SEAT, COVER

990 SUPER DUKE ORANGE USA 2007

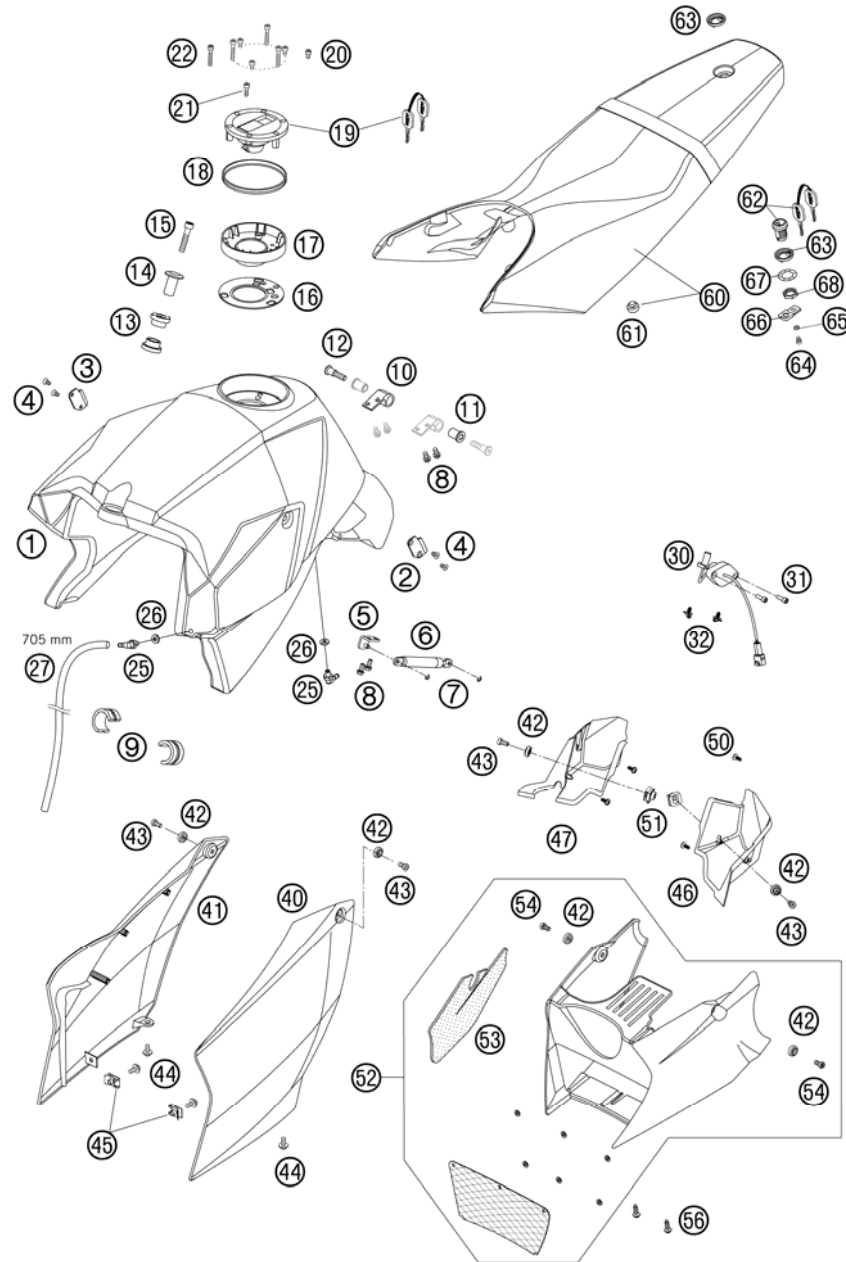


FIG	PART NUMBER	DESCRIPTION	QTY
46*	61108050050	INNER COVER SPOILER LEFT 07	1
47*	61108051050	INNER COVER SPOILER RIGHT 07	1
50	0016050121	SCREW FOR PLASTIC 50X12	5
51	50235033300	SNAP-NUT HOLDER M6 KP142	2
52*	6100802014473A	FRONT-END SPOILER CPL. OR. 07 WITH DECAL	1
53*	61008020150	THERMAL PROTECTION FOIL 07	1
54	0012060164	AH SCREW DIN6912 M6X16 SL	2
56	0017060203	EJOT PT SCREW K60X20 WS=6	2
60*	6100704000047	SEAT BLACK LOGO ORANGE 07	1
61	61007040010	DISTANCE RUBBER SEAT 05	6
62	61007050000	SEAT LOCK 05	1
63	61007052000	SPACER RING SEAT LOCK 05	1
64	61007050020	SCREW M4 AF32 05	1
65	61007050010	WASHER AF150 05	1
66	61007050040	CLOSING PANEL TR248 05	1
67	61007050050	WASHER TR12.01 05	1
68	61007050030	NUT M19 X1 AF36 05	1

076110700 / C076110700

\* NEW PART

X AS REQUIRED

# FUEL PUMP

## 990 SUPER DUKE ORANGE USA 2007

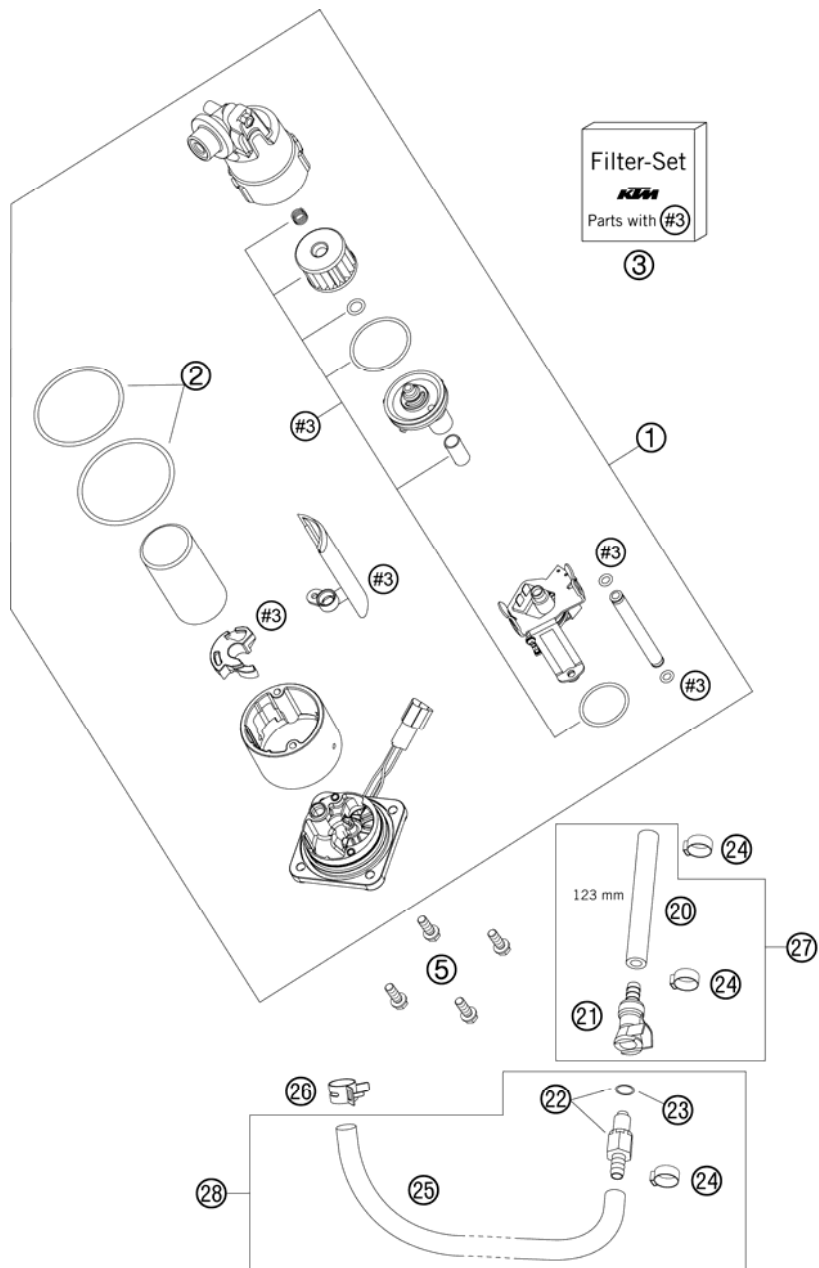


FIG	PART NUMBER	DESCRIPTION	QTY
1*	61007088200	FUEL PUMP 07	1
2	61007089000	O-RING SET FOR FUEL PUMP 05	1
3	61007090000	FILTER-SET FUEL PUMP 05	1
5	0015060163	HH COLLAR SCREW M 6X16 WS=8	4
20	60007016001	HOSE 7,5X13,5 PER METER	x
21	5850701050030	CLUTCH CPC BLACK 05	1
22	5850701030030	PLUG CPC BLACK 05	1
23	58507012000	O-RING VITON F. PLUG CPC 05	1
24	00050153706	VARIABLE ONE-EAR CLAMP 15,3MM	3
25	61007016000	FUEL HOSE 05	1
26	00049140121	CLAMP STD DN14	1
27*	60107016051	FUEL HOSE CPL. 06	1
28	61007016050	FUEL HOSE 90° 1 CPL. 05	1

076110707 / C076110707

\* NEW PART

X AS REQUIRED



# MASK FENDERS

990 SUPER DUKE ORANGE USA 2007

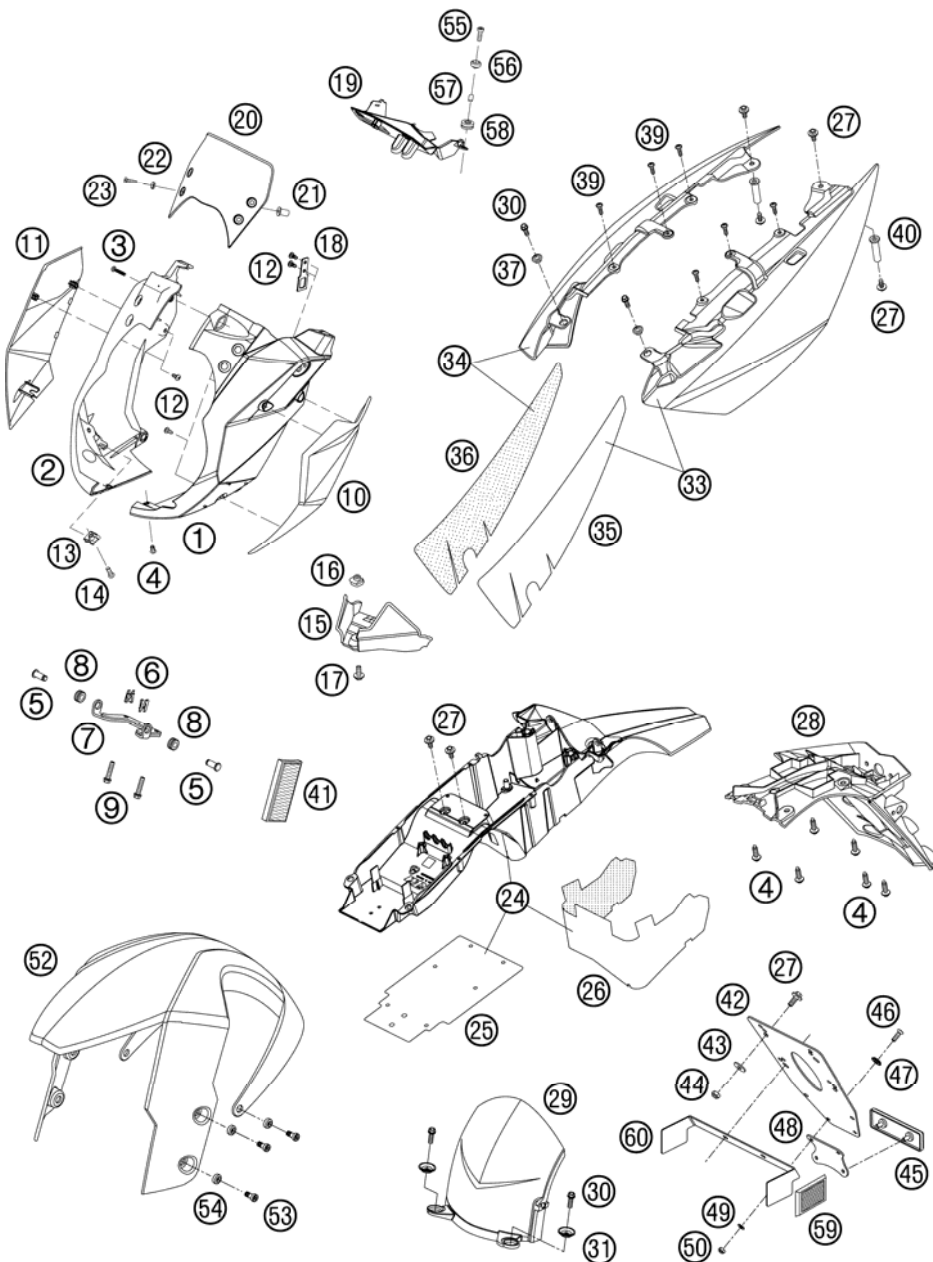


FIG	PART NUMBER	DESCRIPTION	QTY
1*	61108001000	HEAD LIGHT MASK LEFT 07	1
2*	61108002000	HEAD LIGHT MASK RIGHT 07	1
3*	0016050253	SCREW FOR PLASTIC 03	1
4*	61103088000	EXPANDING RIVET PA6 BLACK 1	1
5	60013057000	BOLT F. LINK FORK 8X20X16,5 2	2
6	60013058000	SECURING CLIP D=8MM 03	2
7	58708002000	HINGE JOINT BOTTOM 99	1
8	31008060000	RUBBER SLEEVE D=8MM OPEN 2	2
9	0015060453	HH COLLAR SCREW M 6X45 WS=8 2	2
10*	6110800300074A	MASK SPOILER LEFT ORANGE 07	1
11*	6110800400074A	MASK SPOILER RIGHT ORANGE 07	1
12*	0016050121	SCREW FOR PLASTIC 50X12 5	5
13*	54603048300	RANGE CHANGE METAL NUT M6 INOX 1	1
14*	0738060121	OVAL HEAD SCREW ISK. ISO7380 1	1
15	61003094000	SPLASH PROTECT. FRAME HEAD 05 1	1
16	50235033300	SNAP-NUT HOLDER M6 KP142 1	1
17	0014060153	HH COLLAR SCREW M 6X15 WS=8 1	1
18*	61111020050	BRACKET STARTER 07 1	1
19*	61108005000	SPEEDOMETER BRACKET 07 1	1
20*	61108065000	WIND SHIELD 07 1	1
21*	60008008050	BLIND PLUG-IN NUT M5 WN 16A 03 4	4
22*	60008046000	SPECIAL WASHER D=12MM 03 4	4
23*	0991050204	FLAT HEAD SCREW DIN7991-M 5X20 4	4
24*	61108019044	REAR BASE CPL. 07 1	1
25*	61008021200	THER. PROTECT. FOIL FRONT 07 1	1
26*	61008021300	THERM.PROTECT. FOIL REAR 07 1	1
27	0014060153	HH COLLAR SCREW M 6X15 WS=8 10	10
28	61008015000	NUMB.PLATE CARRIER 05 1	1
29	61008014000	SPLASH PROTECT. 05 1	1
30	0015060163	HH COLLAR SCREW M 6X16 WS=8 4	4
31	72210079000	BUCKET 2	2
33*	6100804100074A	REAR END TOP PART L/S ORG. 07 1	1
34*	6100804200074A	REAR END TOP PART R/S ORG. 07 1	1
35*	61008041150	THERMAL PROT. FOIL L/S 07 1	1
36*	61008042150	THERMAL PROT.FOIL R/S 07 1	1
37	50308053000	BUSH FOR SPOILER 6X11X16X7,5 2	2

076110800 / C076110800

\* NEW PART

X AS REQUIRED

# MASK FENDERS

# 990 SUPER DUKE ORANGE USA 2007

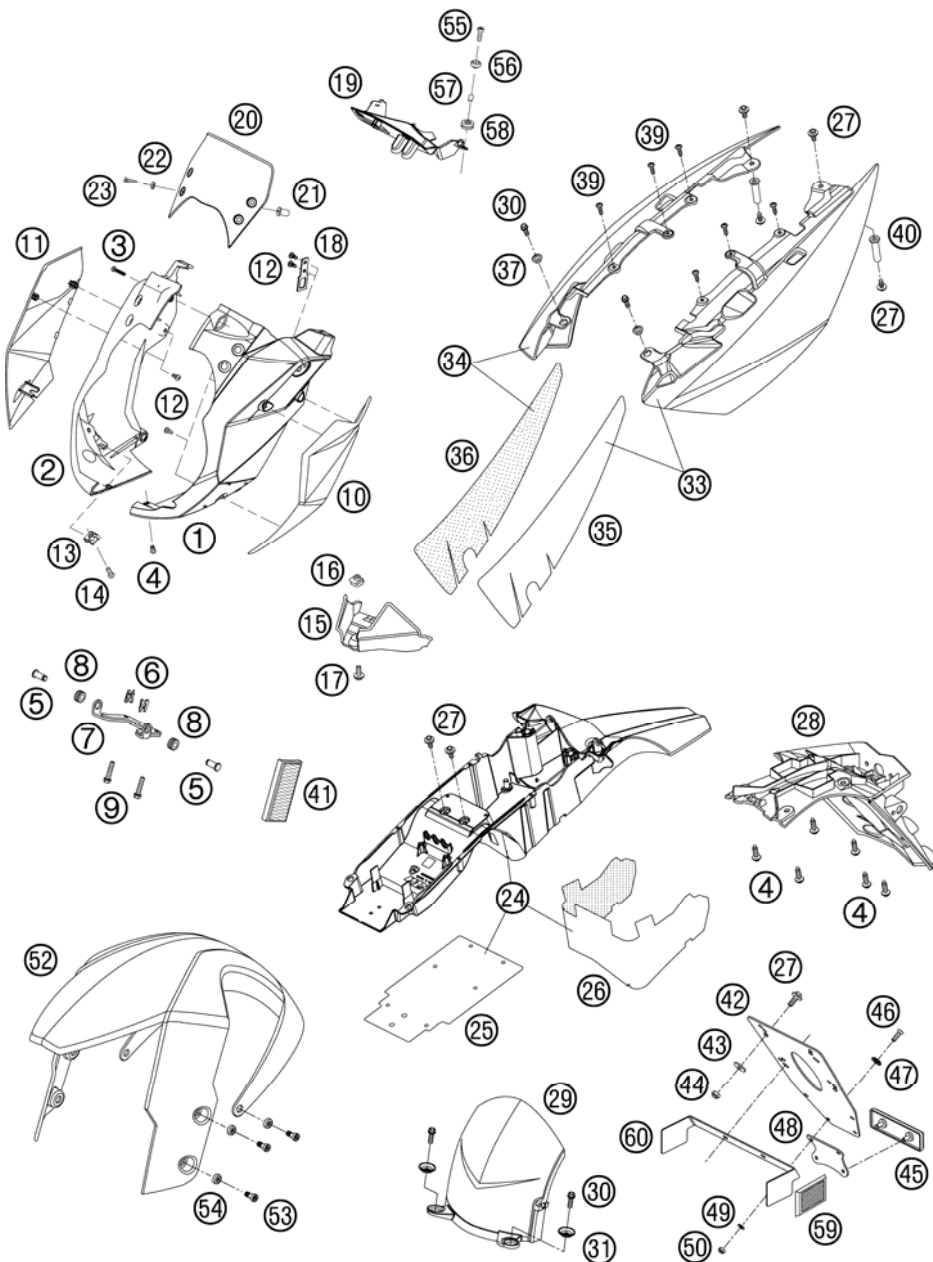


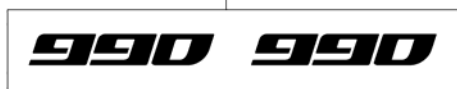
FIG	PART NUMBER	DESCRIPTION	QTY
	39	0081500181 SCREW FOR PLASTIC D=5X18	6
	40	61008019050 SPECIAL NUT FOR REAR END 05	2
	41	58412080100 REFLECTOR YELLOW '99 FOR AUS+USA ONLY	2
42*	60012081200	LICENCE FITTING 06	1
	43	0021060003 WASHER DIN9021-A 6,4	4
	44	0985060003 SELF LOCK. NUT DIN0985-M 6	4
	45	58412080000 REFLECTOR RED LC4 '98	1
	46	0966050163 OVAL HEAD SCREW DIN0966-M 5X16	2
	47	40006006000 WASHER 6MM	2
	48	58412080050 BRACKET FOR REFLECTOR	1
	49	0125050003 WASHER DIN0125-A 5,3	2
	50	0985050003 SELF LOCKING NUT DIN0985-M 5	2
52*	6110801000030	FRONT FENDER BLACK 07	1
53*	0012060164	AH SCREW DIN6912 M6X16 SL	6
54*	61108045000	SPECIAL WASHER	6
55*	0984060252	AH SCREW DIN6912 M6X25	2
56*	60008045000	SPECIAL WASHER D=16,5MM 03	2
	57	61108006000 BUSHING 6,2X7,5X12,5	2
58*	58214069051	RUBBER GROMMET 16X10,8X3 02	2
	59	16512180100 SIDE REFLECTOR RED REAR FOR USA ONLY	2
60	62512081000	BRACKET SIDE REFLECTOR 06 FOR USA ONLY	1

076110800 / C076110800

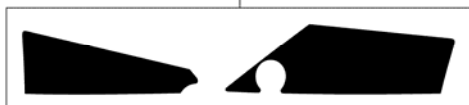
\* NEW PART

X AS REQUIRED

①



②



③

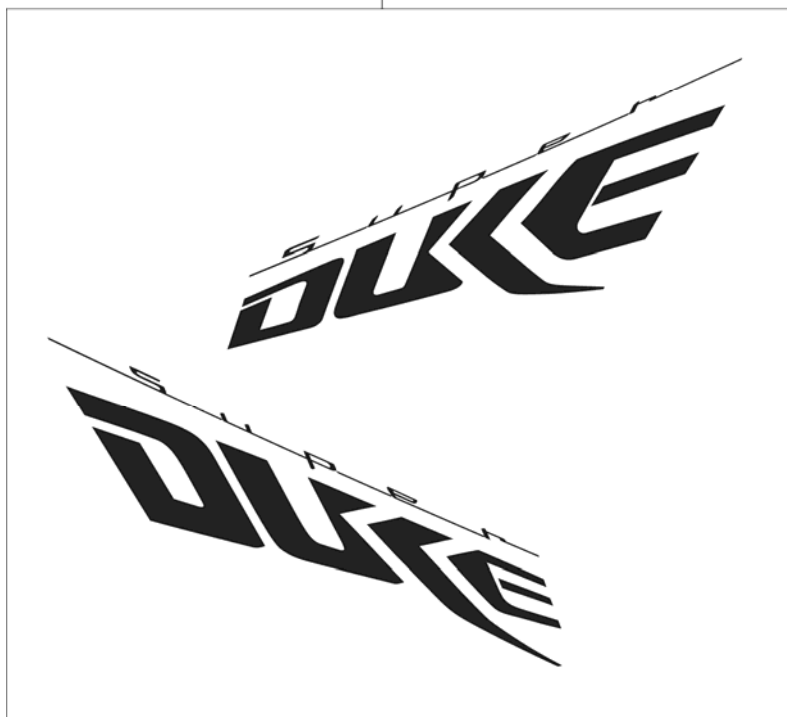


FIG	PART NUMBER	DESCRIPTION	QTY
1*	61008099100	DISPLACEME. STICKER 07	1
2	61008096000	STICKER BUGSPOILER ORANGE 05	1
3*	61108098000	STICKER SPOILER 07	1

076110807 / C076110807

\* NEW PART

X AS REQUIRED

# FRONT WHEEL

# 990 SUPER DUKE ORANGE USA 2007

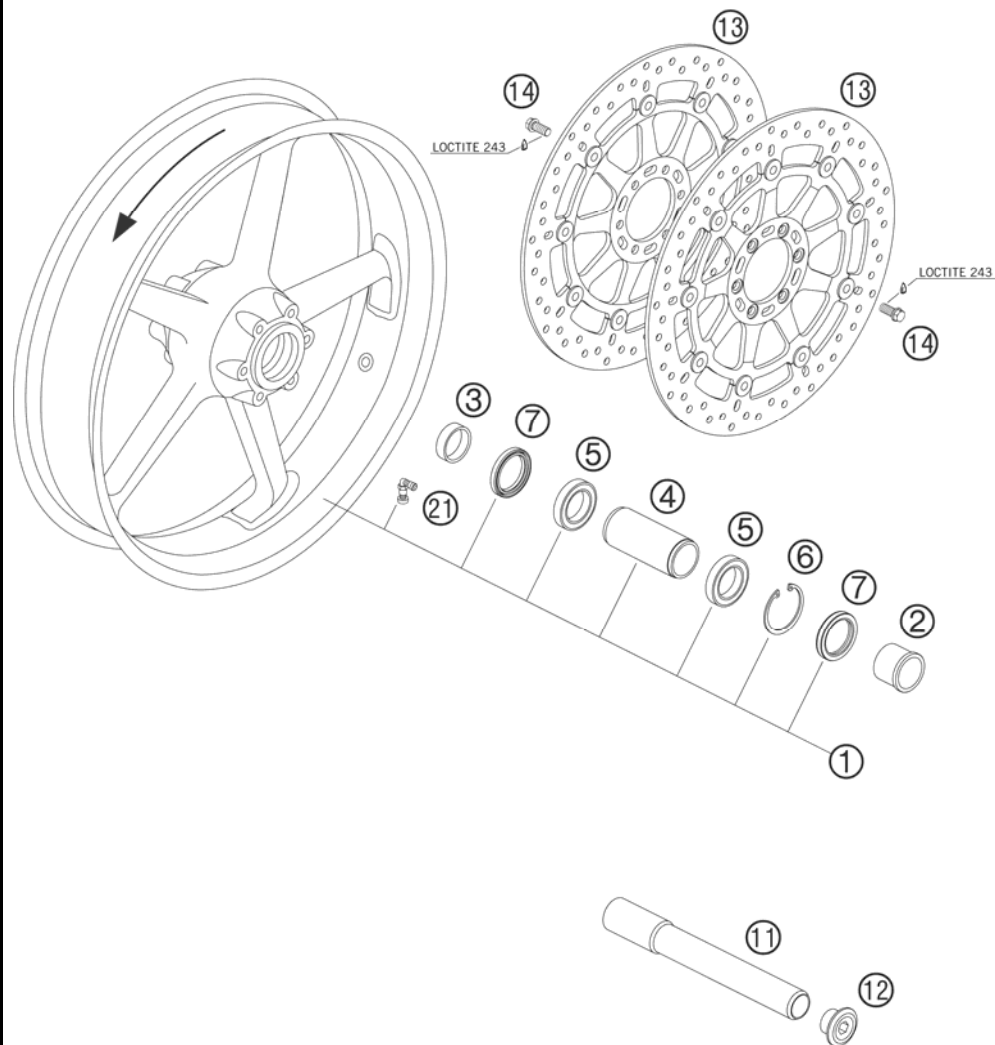


FIG	PART NUMBER	DESCRIPTION	QTY
1*	6100900104430	FRONT WHEEL CPL. BLACK 07	1
2	61009012000	SPACER BUSH. FR. WHEEL L/S 05	1
3	60009013000	SPACER BUSH. FR. WHEEL R/S 03	1
4	61009011000	BEARING SPACER TUBE FRONT 05	1
5	0625069068	GR.BALL BEAR.6906 DDU2CG23S6NM	2
6	0472048175	LOCK RING DINO472-48X1,75	1
7	0760354771	SHAFT SEAL RING 35X47X7 TC	2
11	61009081000	WHEEL SPINDEL FRONT 05	1
12	61009082000	AH SCREW M25X1,5 WS=12 05	1
13	61009060000	BRAKE DISK FRONT 320MM 05	2
14	61009062018	SPECIAL SCREW M8X18 05	12
21	61009076000	VALVE ANGLED 90° 05	1

066100900 / C076110900

\* NEW PART

X AS REQUIRED

# REAR WHEEL

# 990 SUPER DUKE ORANGE USA 2007

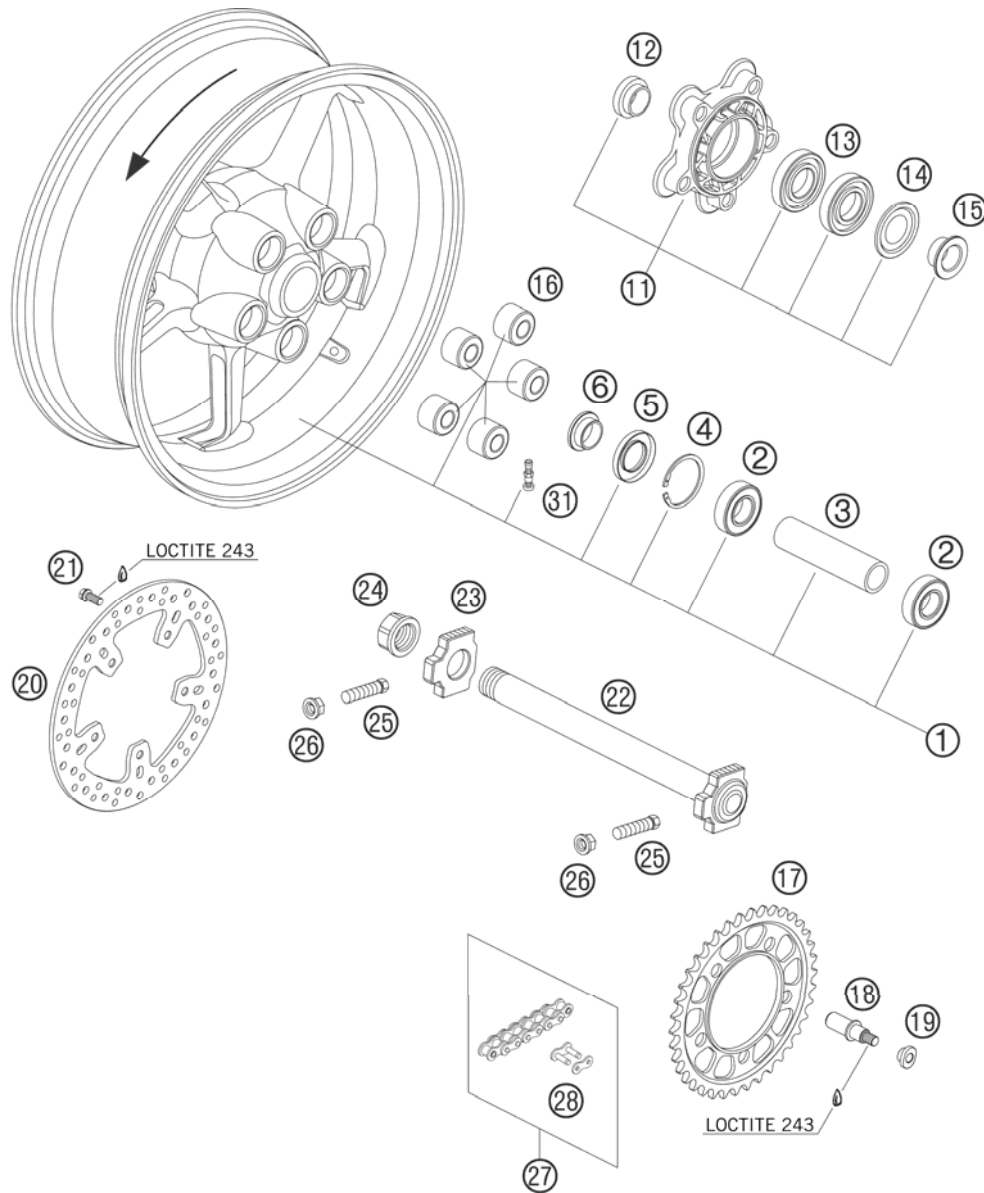


FIG	PART NUMBER	DESCRIPTION	QTY
1*	6101000104430	REAR WHEEL CPL. BLACK 07	1
2	0625062052	GR.BALL BEAR. 6205-2RSHC3HMTF7	2
3	61010011000	BEARING SPACER TUBE REAR 05	1
4	0472052200	CIRCLIP DIN0472-52X2	1
5	0760305271	SHAFT SEAL RING 30X52X7	1
6	60010013000	SPACER BUSH. REAR WHEEL R/S 03	1
11	61010050144	SPROCKET SUPPORT CPL. 06	1
12	60110014000	SPACER BUSH. SPR. SUPP. IN. 06	1
13	0625060060	BALL BEARING 6006 DDU2CG23S6NM	2
14	60110016000	NILOS RING 6006AV	1
15	60110012000	SPACER BUSH. SPROCKET SUPP. 06	1
16	61010059000	DAMPING RUBBER 05	5
17	61010051138	REAR SPROCKET 38-T STEEL 05	1
17	61010051139	REAR SPROCKET 39-T STEEL 05	x
17	61010051140	REAR SPROCKET 40-T STEEL 05	x
18	61010056000	BOLT FOR SPROCKET SUPPORT 05	5
19	61010057000	NUT REAR SPROCKET 05	5
20	61010060000	BRAKE DISK REAR D=240MM 05	1
21	61009062018	SPECIAL SCREW M8X18 05	5
22	60010081044	WHEEL SPINDLE REAR CPL. 03	1
23	60010084000	CHAIN TENSIONER R/S LC8 03	1
24	61010086000	COLLAR NUT M25X1,5 WS=32 05	1
25	50304040100	SCREW M10X1,25X50 WS=10	2
26	58414030000	HH COLLAR NUT M10X1,25 WS=13	2
27*	60010365118	CHAIN 525 INCL. MASTER LINK CUT TO 110 CHAIN LINKS	1
28*	60010266000	MASTER LINK FOR CHAIN 525 07 NEEDS RIVET TOOL	x
31	58709076000	VALVE CPL. BREMBO DUKE 2003	1

066101001 / C076111000

\* NEW PART

X AS REQUIRED

# WIRING HARNESS

# 990 SUPER DUKE ORANGE USA 2007

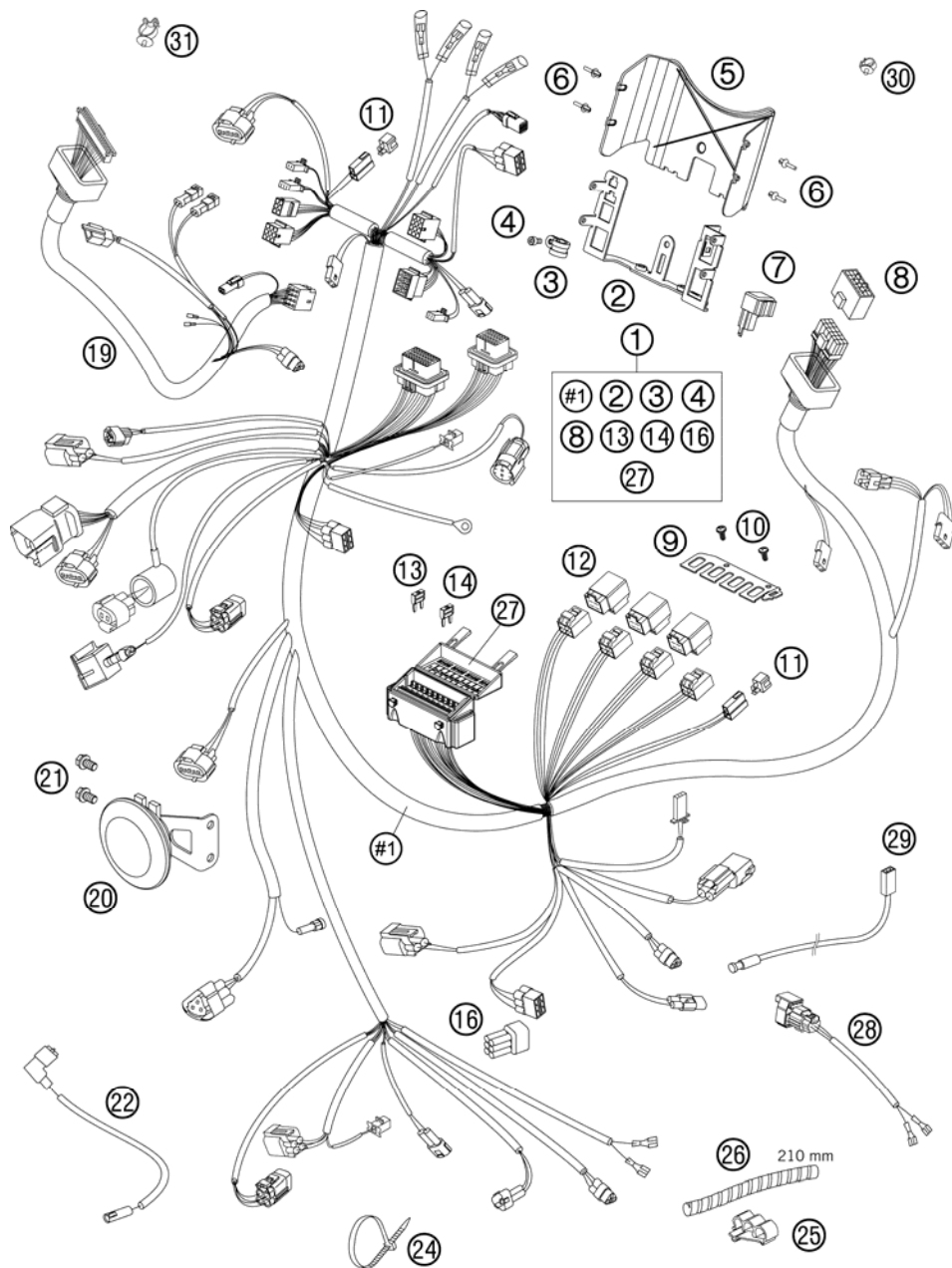


FIG	PART NUMBER	DESCRIPTION	QTY
1*	61111075100	WIRING HARNESS 990 SD	07
2	61011083000	BRACKET FOR PLUGS CPL.	05
3	49007439000	CLAMP RSGU 15/12	1
4	0912050103	AH SCREW DIN0912-M 5X10	1
5	61011083020	BRACKET FOR PLUGS COVER	05
6	60003088000	PLASTIC CAP FOR M6	03
7	44611207200	FLASHER UNIT	97
8	61011075020	DUMMY PLUG ALARM SYSTEM	05
9*	61111057050	BRACKET RELAY	07
10	0016050121	SCREW FOR PLASTIC 50X12	2
11	58411096100	DIODE S3H-15	97
12*	61111057000	RELAY CM1A-R-12V-H80	07
13*	75011088010	FUSE 10A	07
14*	75011088015	FUSE 15A	07
16	000700000BH	SPARE CONNECTOR BH	1
19*	61111079000	WIRING HARNESS FRONT	07
20	61011060000	DC HORN CPL.	05
21	0015060103	HH COLLAR SCREW M 6X10 WS=8	2
22	60011092000	OIL-PRESSURE SWITCH CABLE	03
24	44011076100	CABLE TIE 100/2,5MM BLACK	x
24	44011076200	CABLE TIE 200/3,6MM BLACK	x
24	44011076305	CABLE TIE 300/4,8MM BLACK	x
25	61011093000	WIRING HOLDER	05
26	58513001000	SPIRAL HOSE D=9MM	00
27*	75011087050	RUBBER CASING FOR FUSE BOX	1
28*	61111020000	STARTER INTERLOCK	1
29*	61111018000	TEMPERATURE SENSOR	07
30*	58111076000	CABLE SUPPORT KHS NR.150-47610	x
31*	61111041000	CABLE SUPPORT	07

076111100 / C076111100

\* NEW PART

X AS REQUIRED

# BATTERY BOX

990 SUPER DUKE ORANGE USA 2007

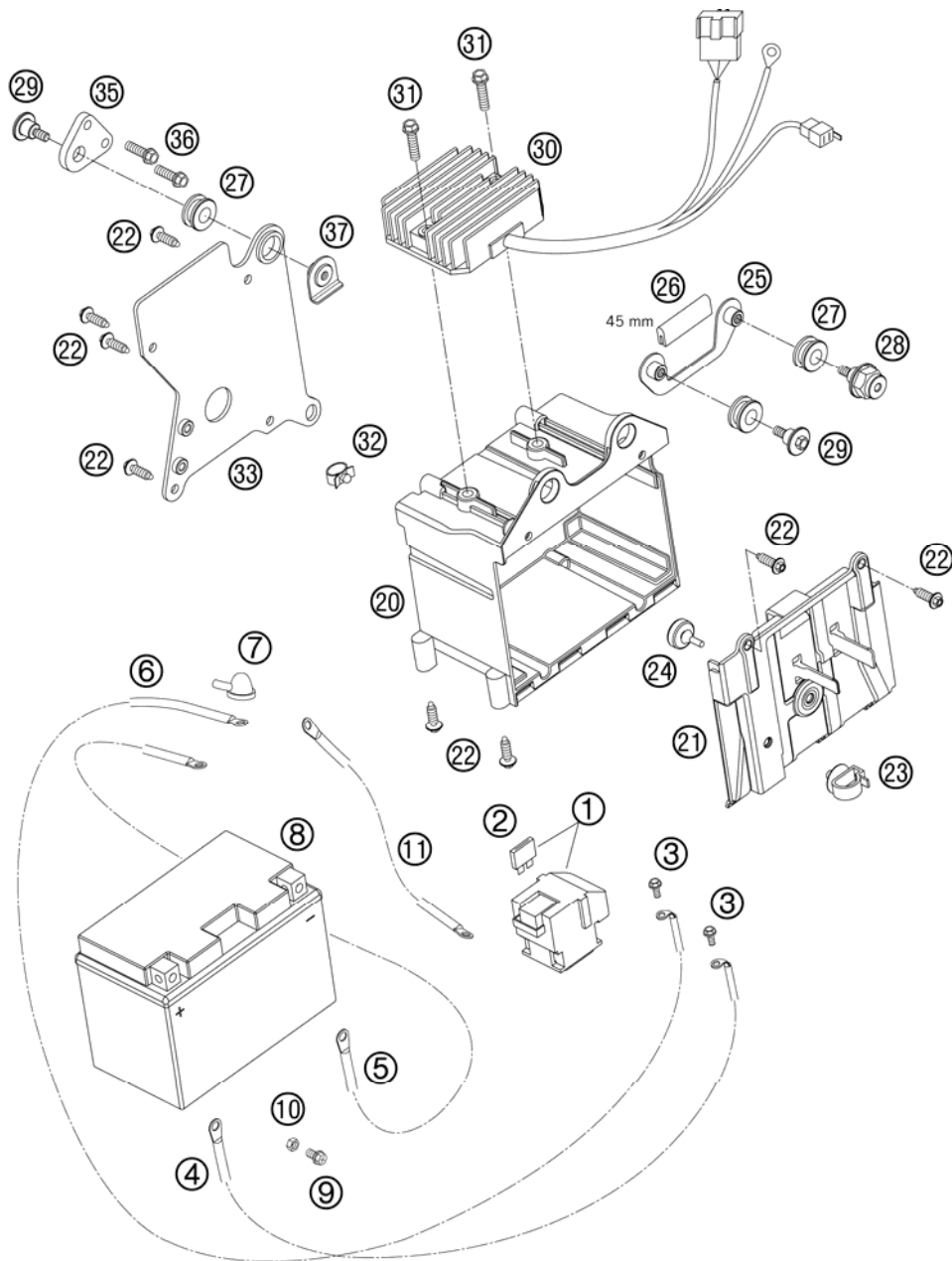


FIG	PART NUMBER	DESCRIPTION	QTY
1	60011058000	STARTER RELAY 03	1
2*	58011109130	FUSE 30 A	x
3	0902060083	AH OVAL SCREW ISO 7380 M 6X8	2
4	61011059050	BATTERY CABLE L=230MM 05	1
5	61011097000	GROUND CABLE L=450MM 05	1
6	61011059000	STARTERCABLE L=820 MM	1
7	60040009000	RUBBER CAP STARTER PORT 03	1
8	60011053000	BATTERY 12V/11AH 03	1
9	0014060103	HH COLLAR SCREW M 6X10 WS=8	2
10	0934060003	HEXAGON NUT DIN0934-M 6	2
11*	61111097000	GROUND CABLE 07	1
20	61011054000	BATTERY BOX 05	1
21	61011054006	BATTERY BOX COVER 05	1
22	0017060203	EJOT PT SCREW K6X20 WS=6	8
23	58111076000	CABLE SUPPORT KHS NR.150-47610	1
24	60006001021	DISTANCE RUBBER AIRBOX 03	1
25	61011055033	ANTI-ROT. ELEMENT DUAL CPL. 05	1
26	58312085100	EDGE PROTECTOR PER METER	x
27	60003098000	RUBBER SLEEVE 03	3
28	61011055050	SPECIAL SCREW M6 WS19 05	1
29	60035001000	SCREW RADIATOR BRACKET M6 03	2
30	60011034000	VOLTAGE REGULATOR LC8 03	1
31	0015060303	HH COLLAR SCREW M 6X30 WS=8	2
32	57013072100	WIRING HOLDER 16MM	1
33	61011057033	BATTERY BOX SUPPORT R/S CPL.	1
35	61011056020	BATTERY SUPPORT 05	1
36	0015060203	HH COLLAR SCREW M 6X20 WS=8	2
37	61011056033	ANTI-ROTATION ELEMENT CPL. 05	1

076111101 / C076111101

\* NEW PART

X AS REQUIRED



# HAND BRAKE CYLINDER

990 SUPER DUKE ORANGE USA 2007

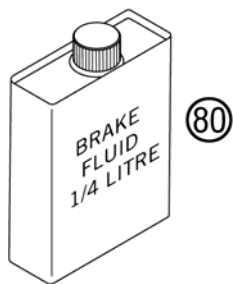
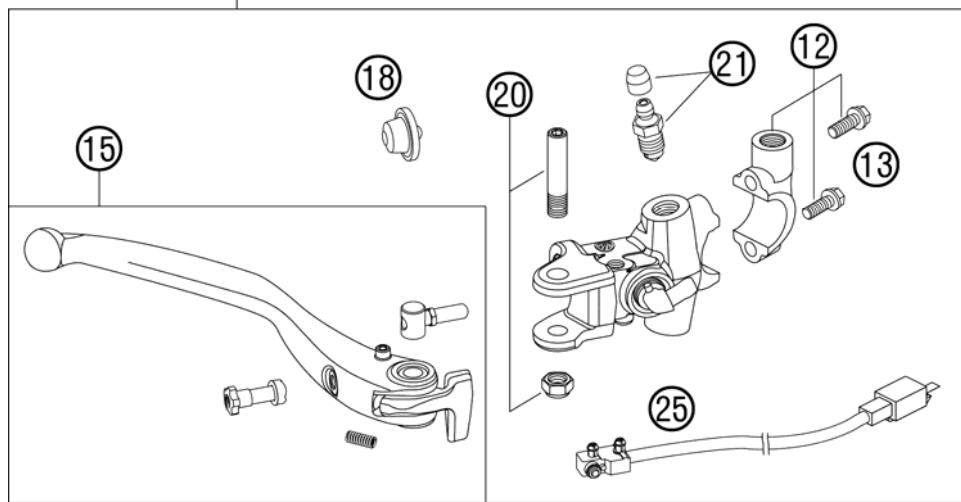
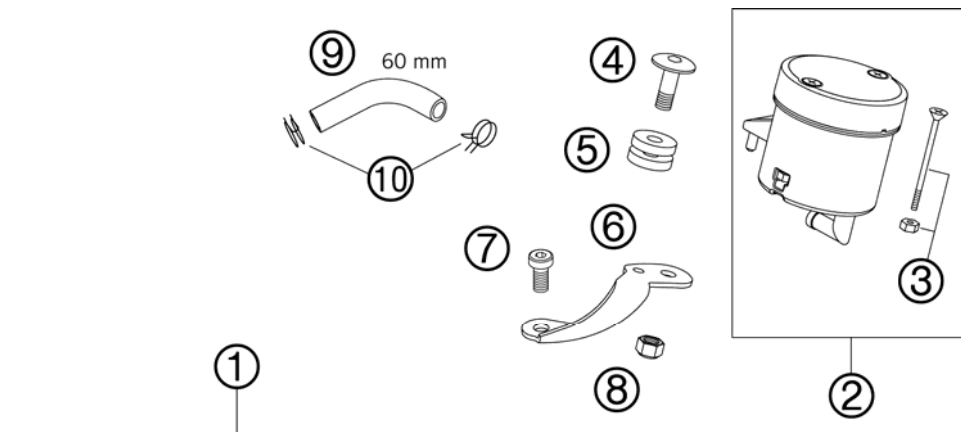


FIG	PART NUMBER	DESCRIPTION	QTY
1	61013001000	HAND BRAKE CYLINDER 05	1
2	61013009002	BRAKE FLUID RESERVOIR CPL.	1
3	61013009003	SCREW + NUT FOR RESERVOIR	2
4	61013013050	SCREW RET.PANEL-RESERVOIR	1
5	61013013000	RUBBER BUSH 05	1
6	61013009001	RET.PANEL FLUID RES. FRONT 05	1
7	61013021000	SCREW RET.PANEL-BRAKE CYLINDER	1
8	61013009004	NUT FOR RESERVOIR	1
9	58007016101	HOSE FOR RESERVOIR 6X1,5	1
10	58007017000	YDNAC CLAMP 10101 (9MM)	2
12	61013005000	CLAMP CPL. 05	1
13	0015060253	HH COLLAR SCREW M 6X25 WS=8	2
15	61013002044	HAND BRAKE LEVER 05	1
18	61013008000	RUBBER CUP 05	1
20	61013006000	LEVER SCREW CPL. 05	1
21	60013020000	BLEEDER SCREW WITH CAP	1
25	61011050000	BRAKE LIGHT SWITCH FRONT 05	1
80*	00062030000	BRAKE FLUID DOT 5.1	1

076111300 / C076111300

\* NEW PART

X AS REQUIRED



# REAR BRAKE CONTROL

990 SUPER DUKE ORANGE USA 2007

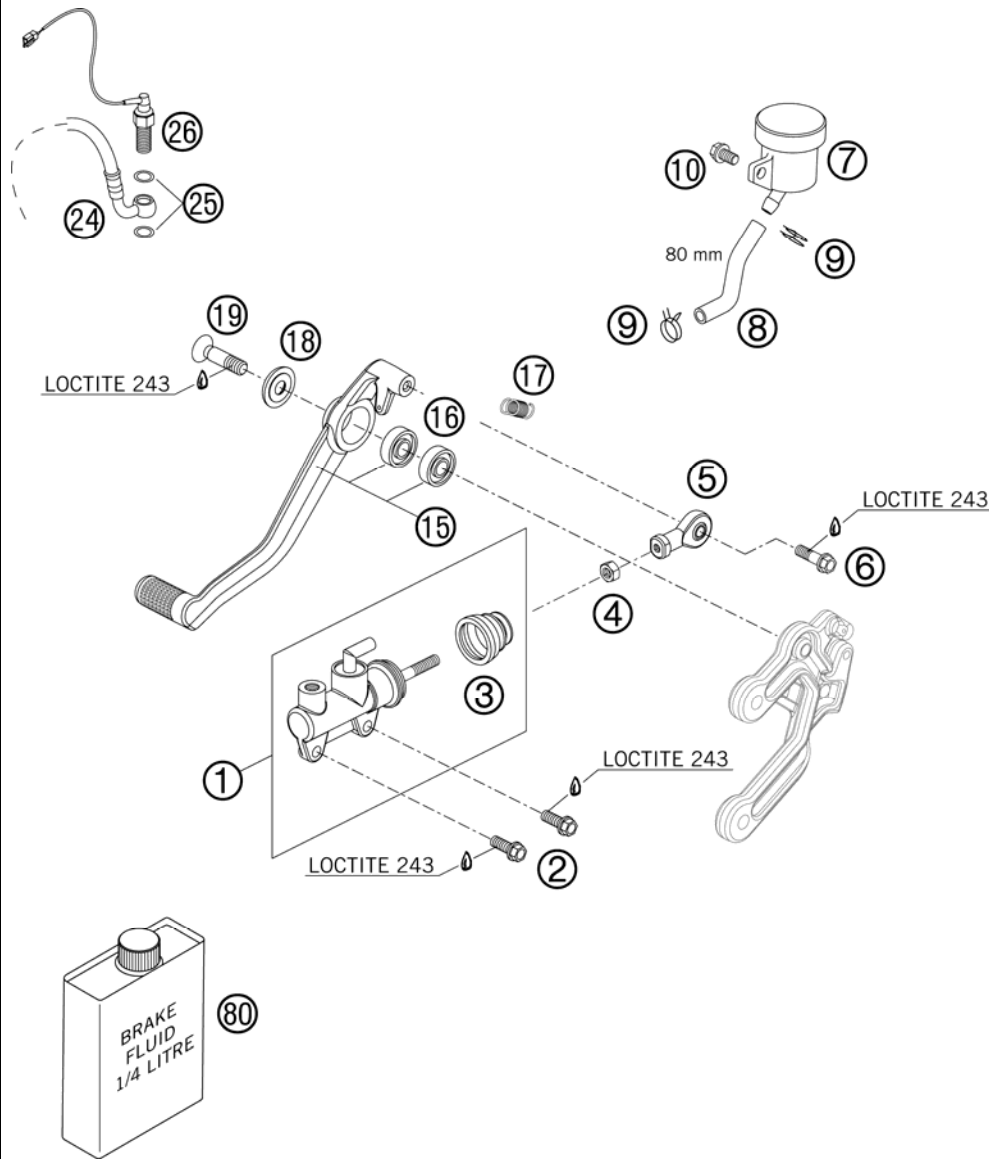


FIG	PART NUMBER	DESCRIPTION	QTY
1	61013060000	MAIN BRAKE CYLINDER 05	1
2	59009062016	SPECIAL SCREW M6X16 WS=8 10.9	2
3	61013064000	CUP FOR MAIN BRAKE CYLINDER	1
4	0934060003	HEXAGON NUT DIN0934-M 6	1
5	54603069000	SWIVEL HEAD M6 FOOT BRAKE LEV.	1
6	59009062019	SPECIAL SCREW M6X19 WS=8 10.9	1
7	61013069000	RESERVOIR REAR CPL. 05	1
8	58007016101	HOSE FOR RESERVOIR 6X1,5	1
9	58007017000	YDNAC CLAMP 10101 (9MM)	2
10	0015060103	HH COLLAR SCREW M 6X10 WS=8	1
15*	6101305004401S	FOOT BRAKE LEVER CPL. 07	1
16	0625006087	GROOVED BALL BEAR. 608 2RS C3	2
17	61013052000	SPRING FOOT BRAKE LEVER 05	1
18	58303061100	SPECIAL WASHER ALU 8X24 MM ELO	1
19	61013059000	FLAT HEAD SCREW M8X32 SL 05	1
24	61013072000	BRAKE PIPE REAR 05	1
25*	0603100141	COPPER GASKET DIN7603-10X14X1	2
26	61011051000	BRAKE LIGHT SWITCH REAR 05	1
80*	00062030000	BRAKE FLUID DOT 5.1	1

076111301 / C076111301

\* NEW PART

X AS REQUIRED

# BRAKE CALIPER FRONT

990 SUPER DUKE ORANGE USA 2007

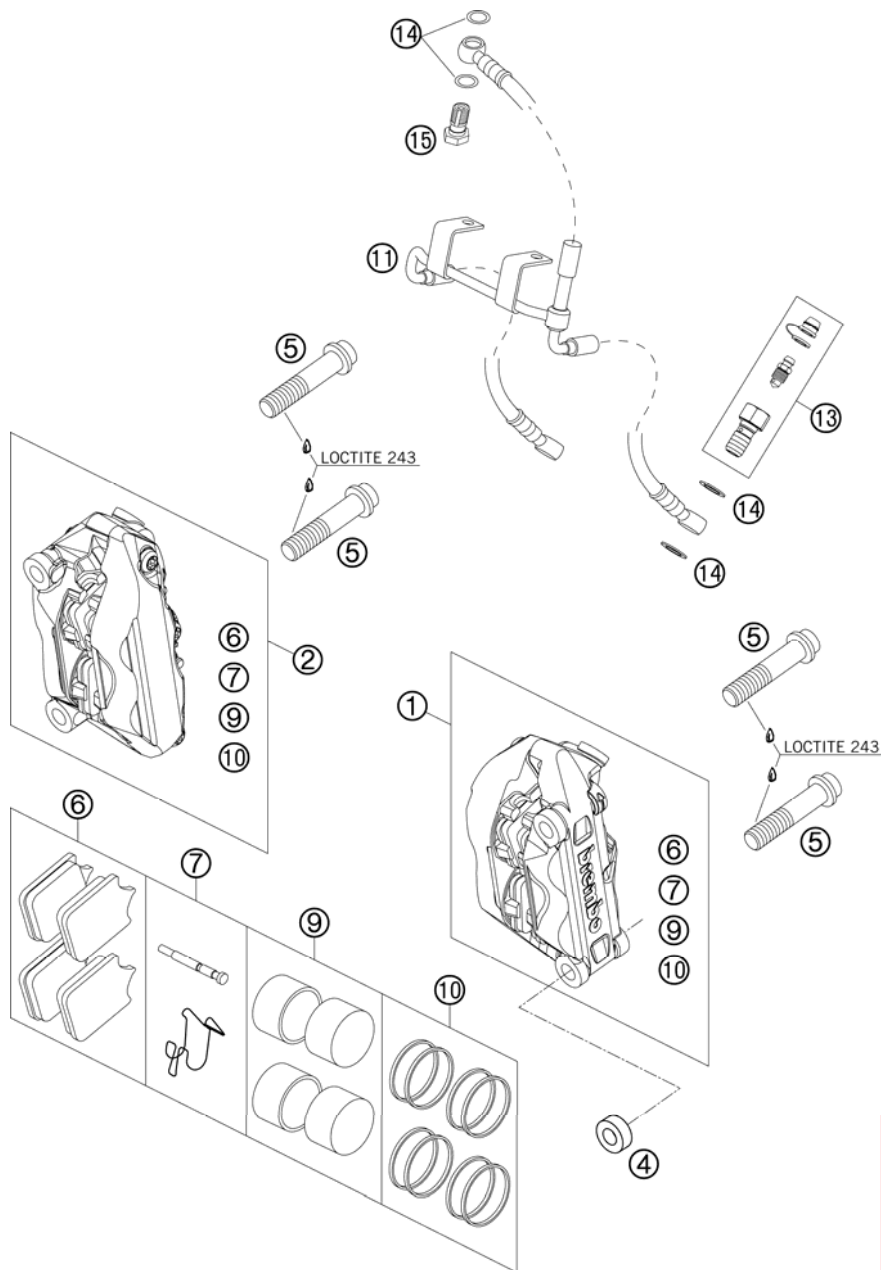


FIG	PART NUMBER	DESCRIPTION	QTY
1*	62513115000	BRAKE CALIPER RADIAL L/S 07	1
2*	62513116000	BRAKE CALIPER RADIAL R/S 07	1
4*	61113022000	SPACER BUSH 10,1X20X7,5 07	4
5*	0035100659	AH-COLLAR SCREW M10X1,25X65	4
6*	61013030000	BRAKE PAD FR. TOSHIBA TT2172HH	x
6*	61013030100	BRAKE PAD FR. HAWK 7342-49	2
7*	61013018000	BOLT AND SPRING F. BR.CALIPER	2
9*	61013019000	BRAKE PISTONS 4X	2
10*	61013019100	REP.KIT SEALING RINGS 4X	2
11*	61113012000	FRONT BRAKING HOSE CPL.	1
13*	62513020000	BLEEDER SCREW CPL. 05	2
14*	0603100141	COPPER GASKET DIN7603-10X14X1	6
15*	61113013000	GROOVED SCREW 07	1

076111302 / C076111302

\* NEW PART

X AS REQUIRED

# BRAKE CALIPER REAR

990 SUPER DUKE ORANGE USA 2007

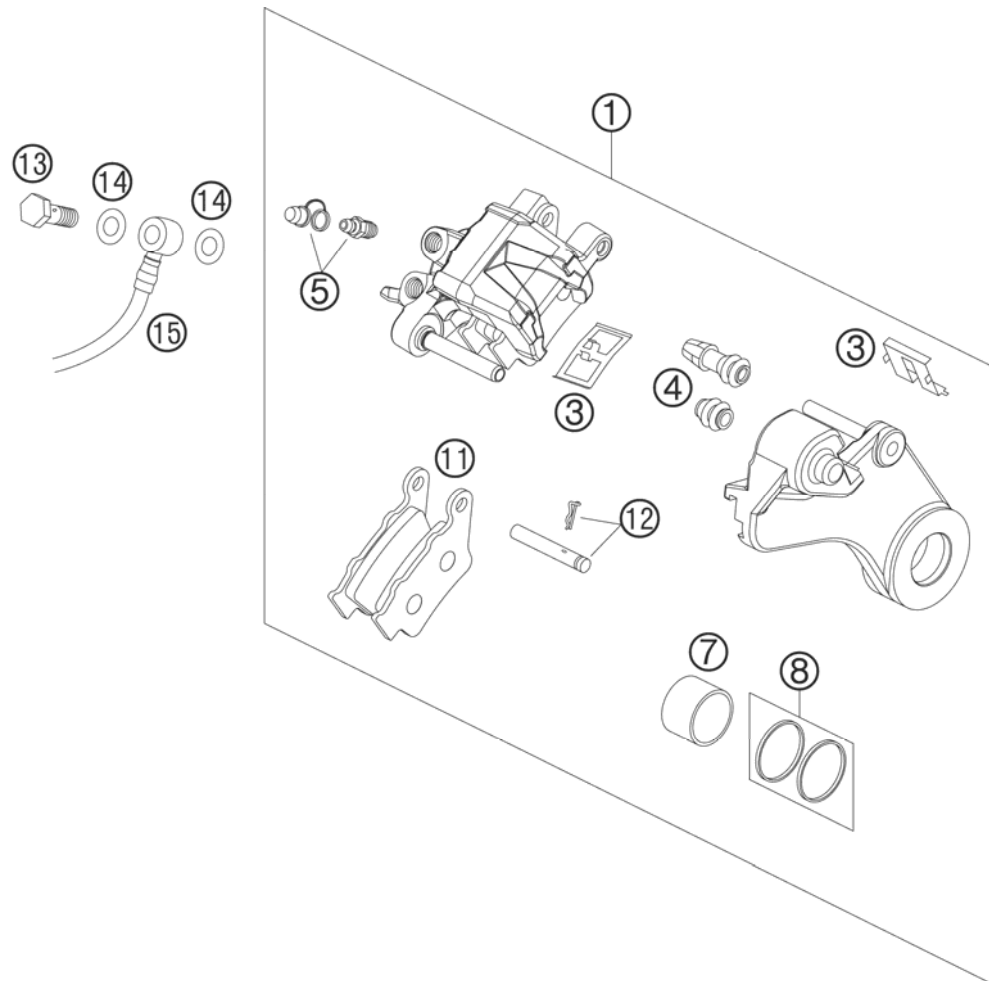


FIG	PART NUMBER	DESCRIPTION	QTY
1	6101308000	BRAKE CALIPER REAR 05	1
3	54613311200	RETAINING SPRING SET	1
4	54613218000	CUP SET SHORT	1
5	61013020200	BLEEDER SCREW WITH CAP	1
7	50313083000	BRAKE PISTON 32MM	1
8	50313081000	REPAIR KIT SEALING RINGS 32MM	1
11	50313090000	BRAKE PAD REAR TOSHIBA TTH38GF	1
12	61013082000	BOLT SET 05	1
13	50213025000	HOLLOW SCREW M10X1X19	1
14*	0603100141	COPPER GASKET DIN7603-10X14X1	2
15	61013072000	BRAKE PIPE REAR 05	1

05610133 / C076111303

\* NEW PART

X AS REQUIRED

# LIGHTING SYSTEM

# 990 SUPER DUKE ORANGE USA 2007

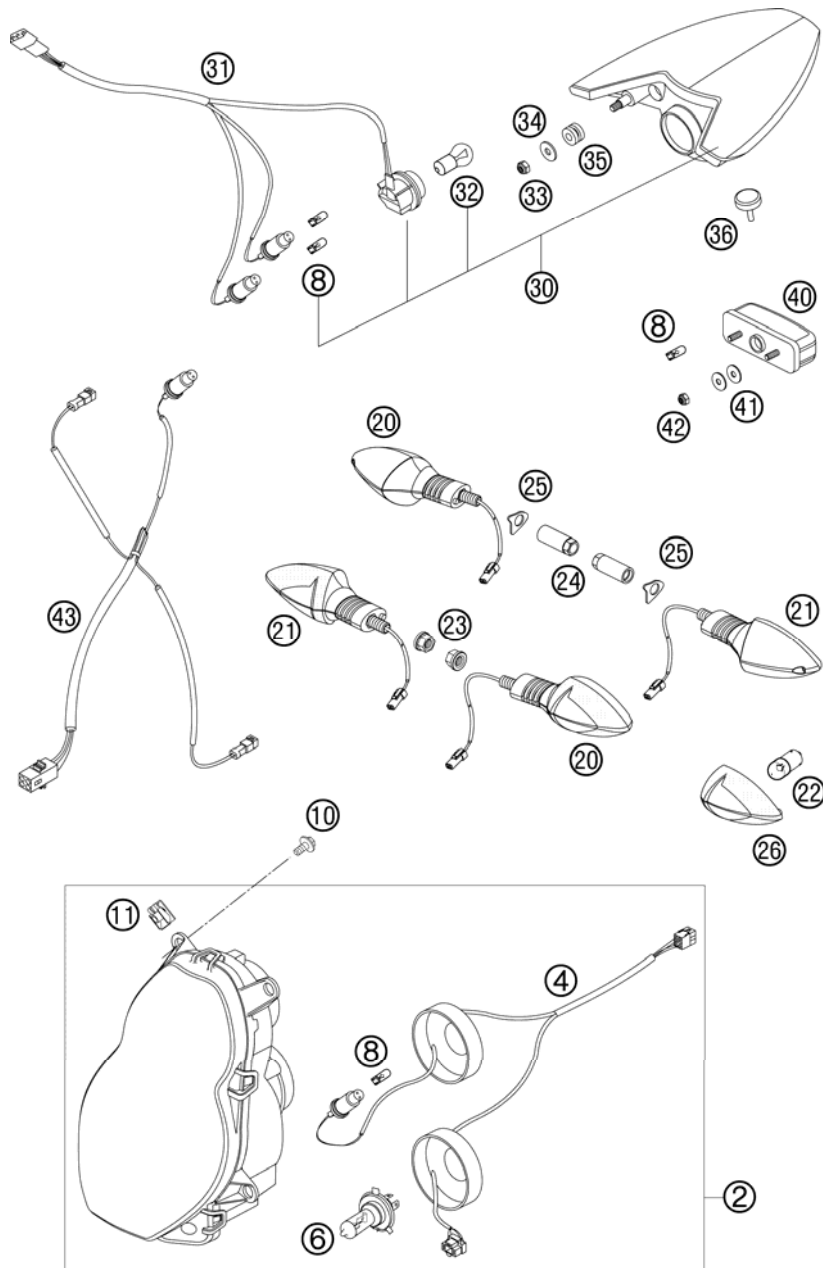


FIG	PART NUMBER	DESCRIPTION	QTY
2*	60014801100	HEAD LIGHT USA 07	1
4	60014801050	HEAD LIGHT WIRING HARN. USA	1
6	57111038000	BULB H4 12V 60/55W (P43T)	1
8	49011435100	BULB 12V 5W (W2,1X9,5D) PHIL.	4
10*	0014060133	HH COLLAR SCREW M 6X13 WS=8	4
11*	54603048300	RANGE CHANGE METAL NUT M6 INOX	4
20*	60114025000	FLASHER CPL.FRONT L/S REAR R/S	2
21*	60114026000	FLASHER CPL.FRONT R/S REAR L/S	2
22*	60114027000	BULB 12V ORANGE (RY10W)	4
23	58414030000	HH COLLAR NUT M10X1,25 WS=13	2
24	61014030000	FLASHER NUT M10X1,25 WS=12	2
25	61014031000	FLASHER WASHER 05	2
26*	60114028000	FLASHER LENS L/S R/S TRANSP.06	4
30	61014040000	REAR LIGHT DUKE 05	1
31	58611076100	CABLE HARNESS REAR PART 05	1
32	60014048000	BULB 12V 21W	1
33	0985060003	SELF LOCK. NUT DIN0985-M 6	2
34	0021060003	WASHER DIN9021-A 6,4	2
35	58214069051	RUBBER GROMMET 16X10,8X3 02	2
36	60006001021	DISTANCE RUBBER AIRBOX 03	1
40	58414047000	LICENSE-PLATE ILLUMINATION '98	1
41	0021050003	WASHER DIN9021-A 5,3	4
42	0985050003	SELF LOCKING NUT DIN0985-M 5	2
43*	61111076000	WIRING HARNESS REAR 07	1

076111402 / C076111402

\* NEW PART

X AS REQUIRED

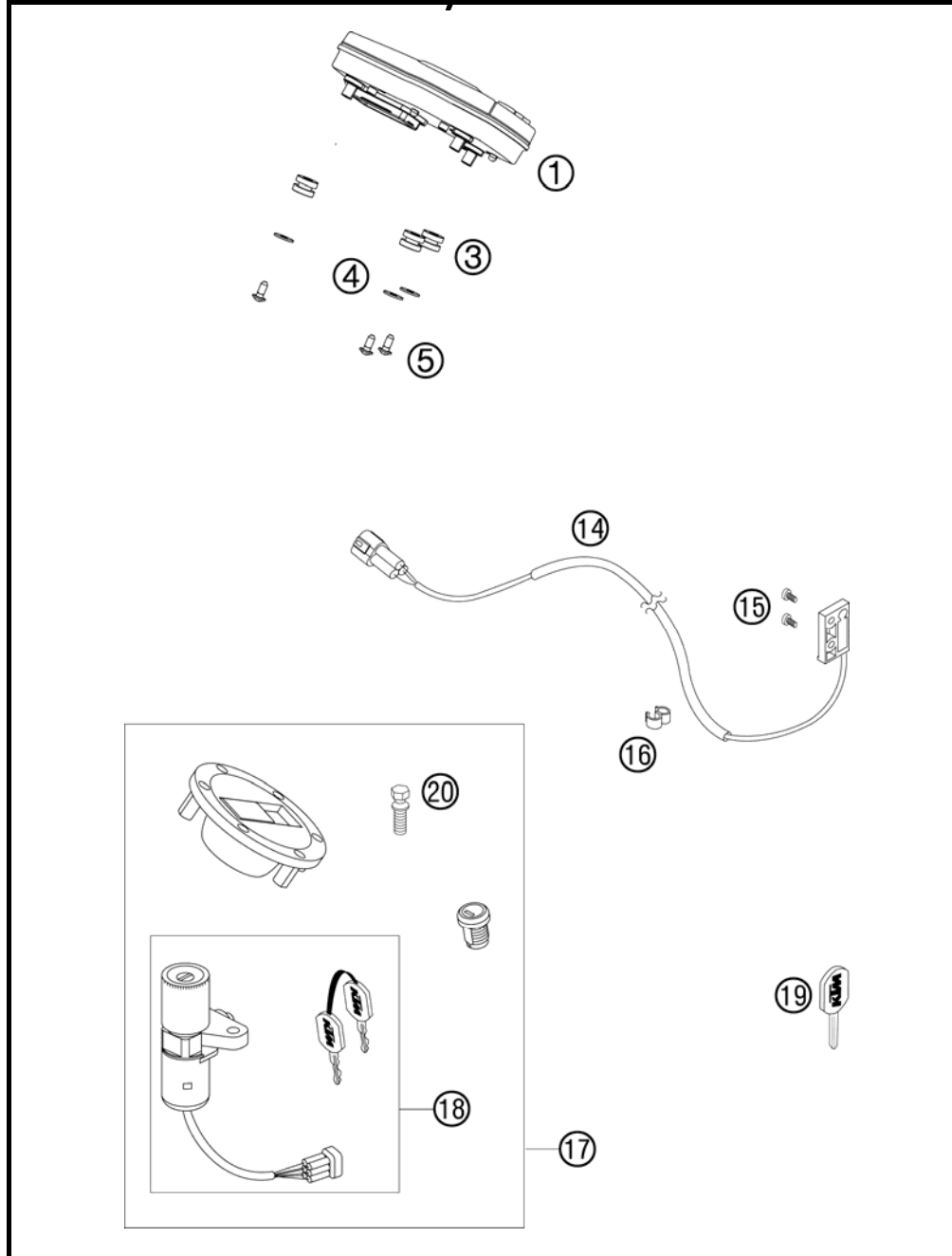


FIG	PART NUMBER	DESCRIPTION	QTY
1*	61114069000	SPEEDOMETER 07 REPROGRAMMABLE KM/H - MPH	1
3*	58214069051	RUBBER GROMMET 16X10,8X3 02	3
4*	0021050003	WASHER DIN9021-A 5,3	3
5*	0016050121	SCREW FOR PLASTIC 50X12	3
14	61014068000	SPEEDOMETER SENSOR 06	1
15	0084040083	CYL.HEAD SCREW DIN0084-M 4X8 A	2
16	60111094000	CLAMP 5/7 MM 06	3
17	61011066044	LOCK SYSTEM 990 DUKE 05	1
18	60011066000	IGNITION LOCK LC8 ADV. 03	1
19	40011166100	KEY BLANK LC4/DUKE/LC8	x
20	60011064000	TAMPERPROOF SCREW F. IGN. LOCK	2

076111403 / C076111403

\* NEW PART

X AS REQUIRED

# EVAPORATIVE CANISTER

990 SUPER DUKE ORANGE USA 2007

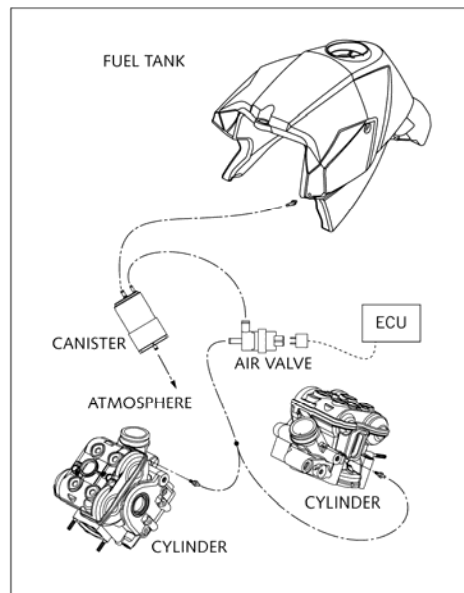
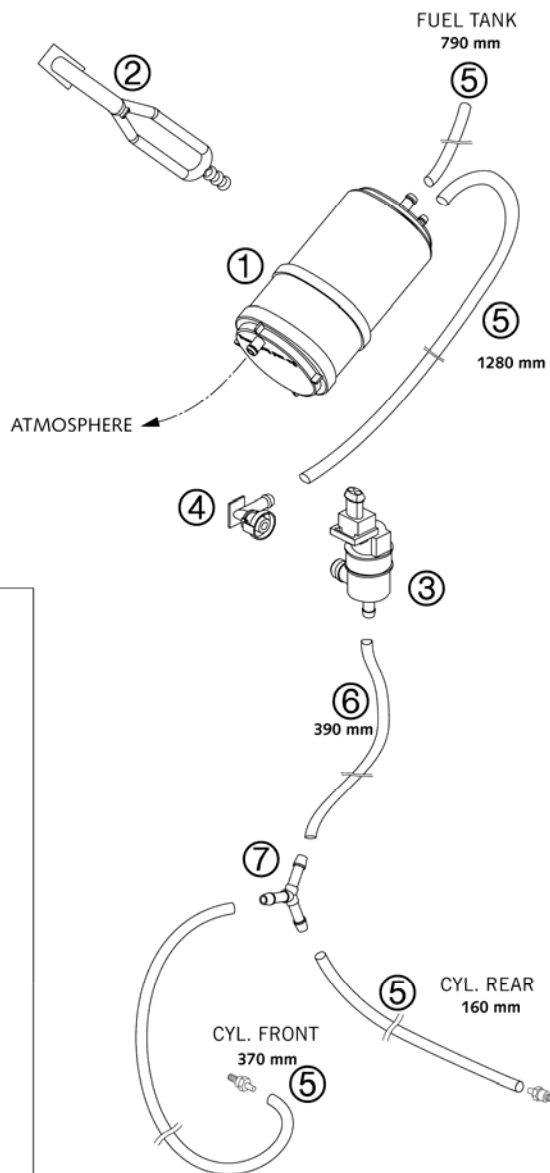
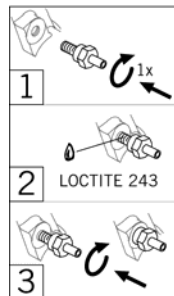


FIG	PART NUMBER	DESCRIPTION	QTY
1	58715001000	EVAP.CANISTER FILTER TYPE AK47	1
2	50303018000	RUBBER L=145MM	1
3*	61115015000	VALVE FOR CARBON CANISTER 07	1
4	61115016000	FITTING PIECE NQV2 NW7 90°	1
5	60007026001	HOSE NBR 5,4X9,4 PER METER	x
6	60015119001	HOSE NBR 8X12 PER METER	x
7	60015025000	Y-CONNECTING PIECE YS 6-8-6 04	1

076111500 / C076111500

\* NEW PART

X AS REQUIRED

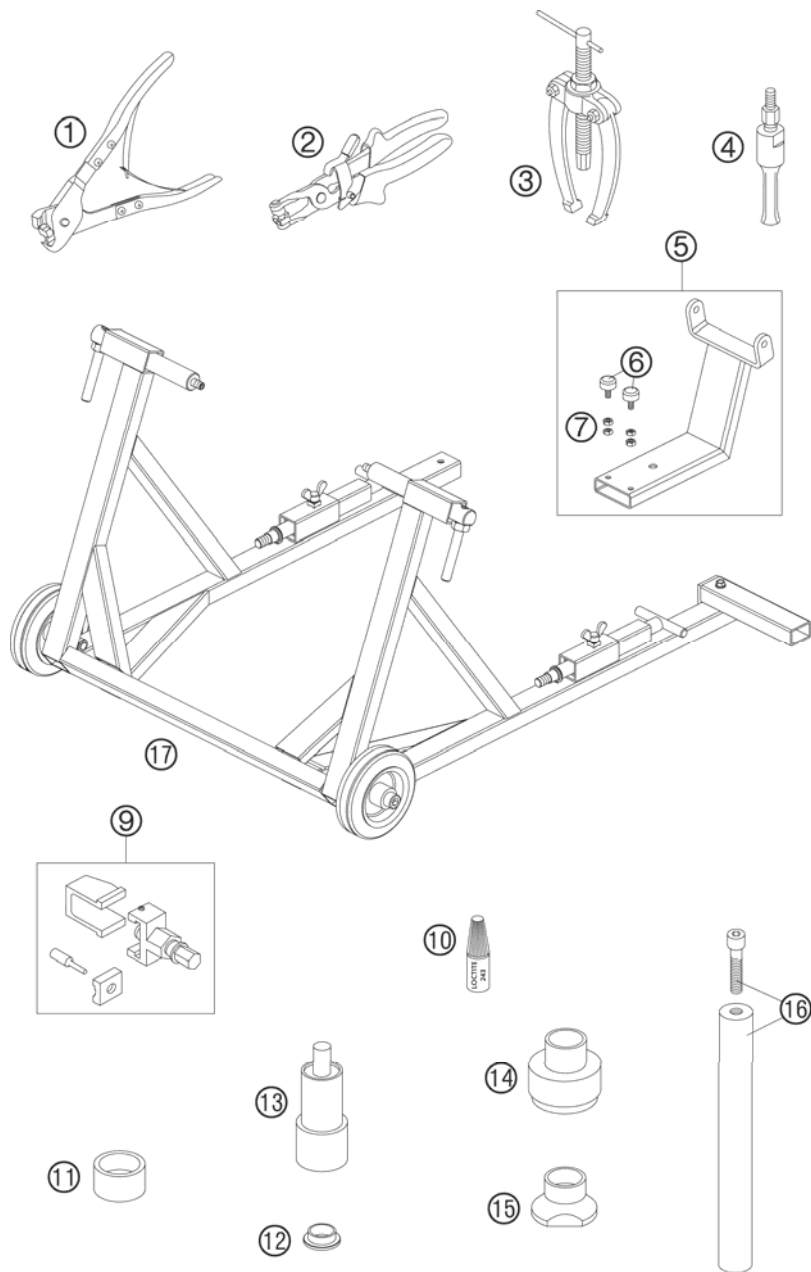


FIG	PART NUMBER	DESCRIPTION	QTY
1	60029057000	PLIERS F. VAR.ONE-EAR CLAMP 03	1
2	60029057100	PLIERS F. CLAMP 03	1
3	15112017000	BUSHING EXTRACTOR	1
4	60029018000	INTERN.BEAR.PULLER 28 MM	1
5	60029055100	ATTACHMENT WHEELED JACK 03	1
6	58303070000	STOP RUBBER M8	2
7	09340800003	HEXAGON NUT DIN0934-M 8	4
9*	58429020000	RIVET TOOL LC4	1
10	6899785	LOCTITE 243 BLUE 6CCM	1
11	60029056000	ANVIL DOLLY 03	1
12	60010013000	SPACER BUSH. REAR WHEEL R/S 03 FOR SWINGARM BEARING	1
13	58429086000	PRESS. TOOL F. LINK BEAR. LC4	1
14	58429091000	MOUNT.TOOL STEER.HEAD BEAR.LC4	1
15	58429092000	DISMOUNT. TOOL F. BEARINGS LC4	1
16	58429089000	HOLDING TOOL CHASSIS LC4	1
17	62529055000	VEHICLE STAND 05	1

056251900 / C076111900

\* NEW PART

X AS REQUIRED



FIG	PART NUMBER	DESCRIPTION	QTY
0	00063099111	BAG FOR INSTRUCTION MANUAL	1
0	312305	DOCUMENTS BAG 2006	1
0	312313	KTM BALLPOINT ORANGE	1
0	3210039	CUSTOMER WELCOME LETTER	1
0	3211151	OWNERS MAN. 990 SUPERDUKE/R 07	1
0	3CF9875G4EN	SPC CHASSIS 990 SUPERDUKE 07	1
0	3CM089821GEN	SPC ENGINE 990 SUPERDUKE 07	1

070002000 / C076112001

\* NEW PART

X AS REQUIRED